

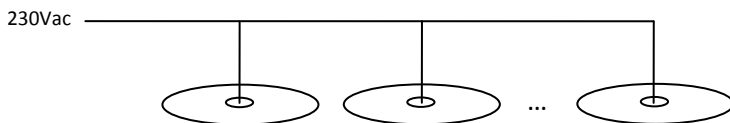
1. Technical details

Size XL small	H: 126cm, D:151/215cm
Size XL large	H: 154cm, D:107/218cm
Weight	35 kg
Supply voltage	230V AC
Power max.	1000 W
Power max. RGB	72 W
IP rating	20
Protection class	1
Certification	CE
Mounting	Ceiling rosette, suspension elements + steel cables included Only hang from a solid base using the appropriate fixing materials. Do not hang above a source of heat.

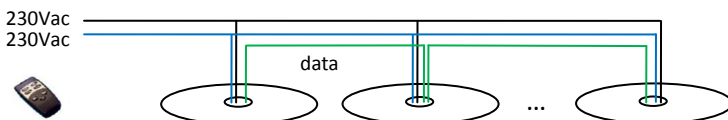
2. Wiring diagram

Always switch off electricity preceding connection
Only to be connected by authorized persons.

Version **White** WhiteE27/E40_ : Cable **3x1.5mm²**

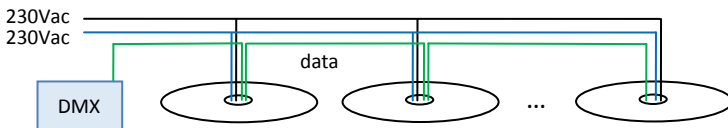


Version **RGB** Remote control



- ° Cable **5x1.5** for 230Vac White light + 230Vac color light.
- ° Cable **DMX or FTP** for RGB data

Version **RGB** DMX control

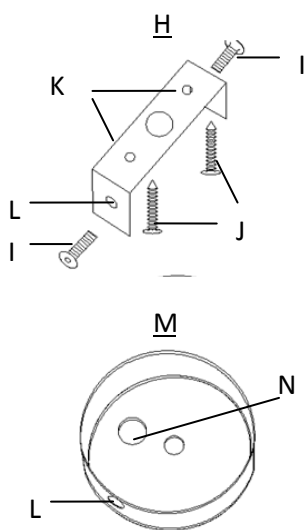
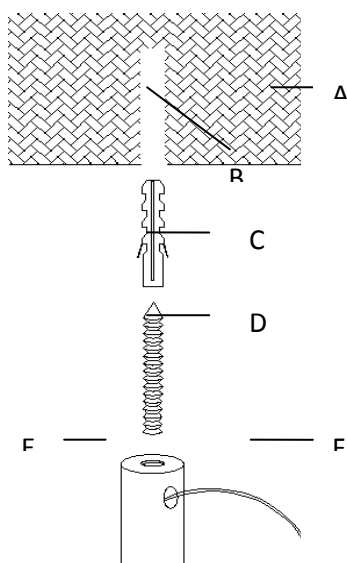


- ° Cable **5x1.5** for 230Vac White light + 230Vac color light.
- ° Cable **DMX or FTP** for RGB data

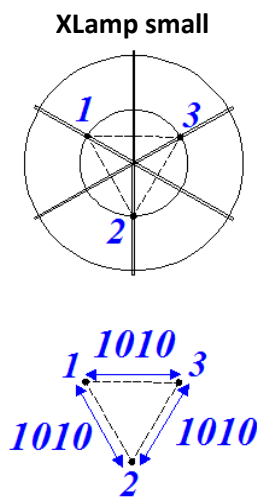
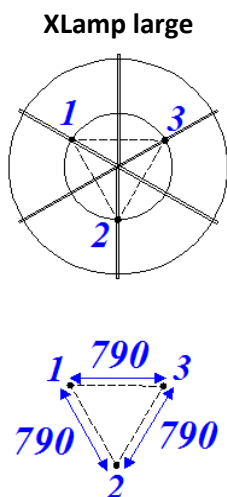
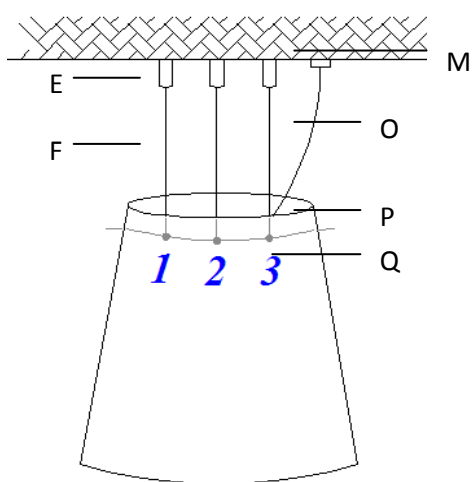
3. Installation

! Do not handle/carry the lamp by the 6 pins on top: do not pull these pins!

- ° Place 3 plugs into the ceiling in the form of a triangle:
 - XLamp LARGE: 790mm from each other (points 1, 2, 3)
 - XLamp SMALL: 1010mm from each other (points 1, 2, 3)
- ° Twist the 3 included screws in the plugs
- ° Twist the 3 metal suspension elements in the screws
- ° Pull each steel cable (3x) through the hole at the bottom of the suspension element until you reach the desired height. To pull back the steel cable; push the pin below and pull the cable at the same time.
- ° Remove the metal holder from the rosette and screw to the ceiling.
- ° Pull the electric cable through the hole of the rosette and connect.
- ° Re-attach the rosette in the holder with the supplied bolts



- A. ceiling
- B. hole
- C. plug
- D. screw
- E. metal suspension element
- F. steel cable
- G. XLamp
- H. metal holder rosette
- I. bolt
- J. screw
- K. hole screw
- L. hole bolt
- M. rosette
- N. hole electric cable
- O. electric cable
- P. suspension



4. Warranty

Eden Design's warranty obligations for this product are limited to the terms set forth below:

Eden Design, warrants this Eden Design-branded product against defects in materials and workmanship under normal use for a period of TWO (2) YEAR from the date of retail purchase by the original end-user purchaser ("Warranty Period"). If a defect arises and a valid claim is received within the Warranty Period, at its option and to the extent permitted by law, Eden Design will either (1) repair the defect at no charge, using new or parts equivalent to new in performance and reliability, (2) exchange the product with a product that is new or equivalent to new in performance and reliability and is at least functionally equivalent to the original product. Eden Design may request that you replace defective parts with new or refurbished user-installable parts that Eden Design provides in fulfillment of its warranty obligation. A replacement product or part, including a user-installable part that has been installed in accordance with instructions provided by Eden Design, assumes the remaining warranty of the original product or ninety (90) days from the date of replacement or repair, whichever provides longer coverage for you. When a product or part is exchanged, any replacement item becomes your property and the replaced item becomes Eden Design's property. Parts provided by Eden Design in fulfillment of its warranty obligation must be used in products for which warranty service is claimed.