

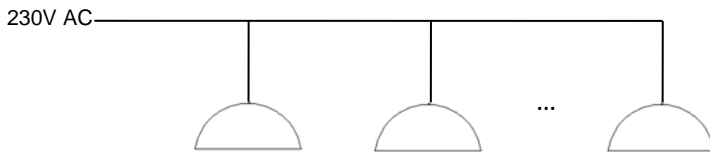
1. Technical details

Size	H: 60cm, D: 140 cm
Weight	13,5 kg
Socket/Lamp type	E27/ TL Circline Warm White incl. / LED
Supply voltage	230V AC
Power max.	150 W
IP rating	20
Protection class	1
Certification	CE
Mounting	Ceiling rose, suspension element + cable included. Only hang from a solid base using the appropriate fixing materials. Do not hang above a source of heat.

2. Cable-wiring diagram

Always switch off electricity preceding connection.
Only to be connected by authorized persons.

Cable : **3x1.5mm²** OR **5x1.5mm²** when dimming Dali / 1-10V

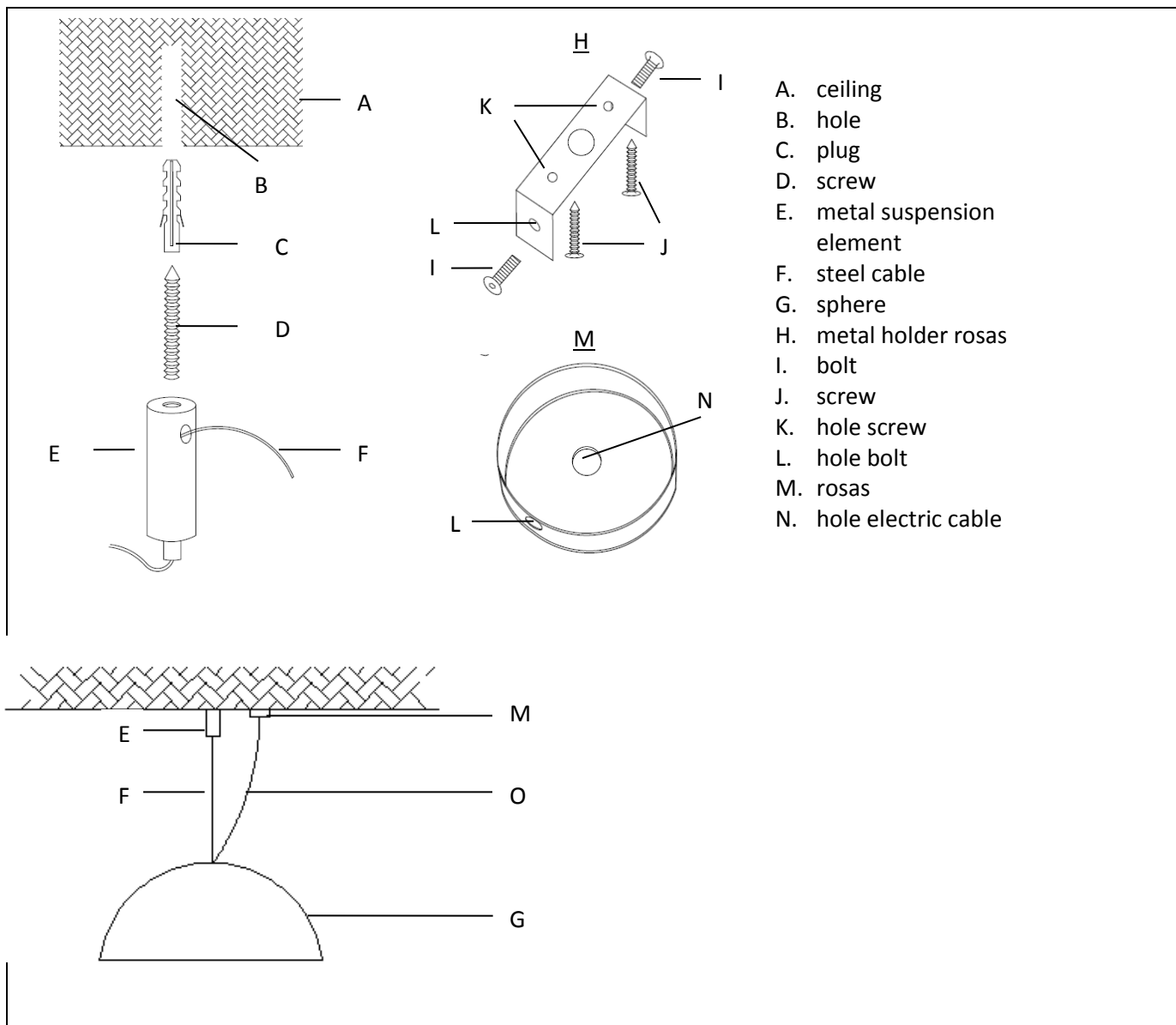


Wiring if Dali / 1-10V

Brown/blue: Main power
Green: PE (earth)
Red: + (dali/1-10V)
White: - (dali/1-10V)

3. Installation

1. Attach the plug to the ceiling.
2. Twist the supplied screw in the plug.
3. Twist metal suspension elements in the screw.
4. Pull steel cable trough the little hole at the bottom of the suspension element. To pull back the steel cable: push the pin below and pull the steel cable at the same time.
5. Remove the metal holder from the rosette and screw into the ceiling.
6. Pull electric cable through hole in the rosette and connect.
7. Reattach rosette to the holder.



4. Warranty

Eden Design's warranty obligations for this product are limited to the terms set forth below:

Eden Design warrants this Eden Design-branded product against defects in materials and workmanship under normal use for a period of TWO (2) YEAR from the date of retail purchase by the original end-user purchaser ("Warranty Period"). If a defect arises and a valid claim is received within the Warranty Period, at its option and to the extent permitted by law, Eden Design will either (1) repair the defect at no charge, using new or parts equivalent to new in performance and reliability, (2) exchange the product with a product that is new or equivalent to new in performance and reliability and is at least functionally equivalent to the original product. Eden Design may request that you replace defective parts with new or refurbished user-installable parts that Eden Design provides in fulfillment of its warranty obligation. A replacement product or part, including a user-installable part that has been installed in accordance with instructions provided by Eden Design, assumes the remaining warranty of the original product or ninety (90) days from the date of replacement or repair, whichever provides longer coverage for you. When a product or part is exchanged, any replacement item becomes your property and the replaced item becomes Eden Design's property. Parts provided by Eden Design in fulfillment of its warranty obligation must be used in products for which warranty service is claimed.

This warranty does not apply to eventual installed lamps.