

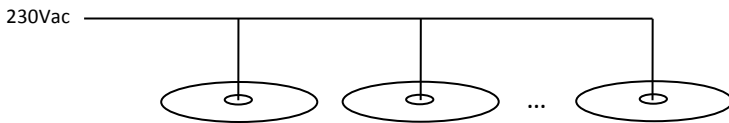
1. Technical details

Size	H: 40cm, D: 195cm
Weight	33 kg
Lamp type	3x PL 55W 3000K included (optional RGB led)
Supply voltage	230V AC
Power max.	165 W
IP rating	20
Protection class	1
Certification	CE
Mounting	Ceiling rosette, suspension elements + steel cables included Only hang from a solid base using the appropriate fixing materials. Do not hang above a source of heat.

2. Cable-wiring diagram

Always switch off electricity preceding connection
Only to be connected by authorized persons.

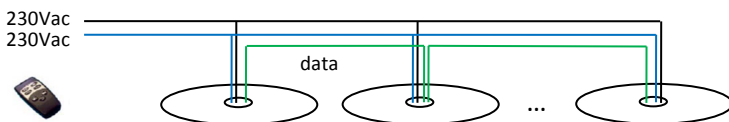
Version White: Cable **3x1.5mm²** OR **5x1.5mm²** when DALI or 1-10V dimming.



Wiring if Dali / 1-10V

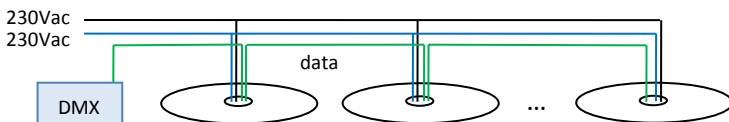
- Brown+Blue: Main power
- Green: PE (earth)
- Red: + (dali/1-10V)
- White: - (dali/1-10V)

Version **RGB** Remote control



- ° Cable **5x1.5** for 230Vac White light + 230Vac color light.
- brown + blue = RGB light
- red + white = White light
- ° Cable **DMX or FTP** for RGB data

Version **RGB** DMX control



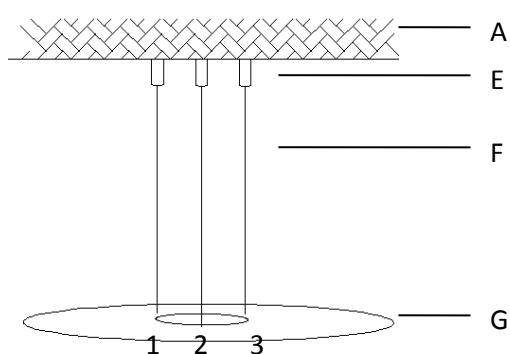
- ° Cable **5x1.5** for 230Vac White light + 230Vac color light.
- ° Cable **DMX or FTP** for RGB data

3. Installation

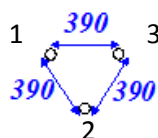
Horizontal/ diagonal

1. Attach the 3 plugs to the ceiling in a triangle.
 - a. 390mm from each other points 1, 2, 3
 - b. 1650 mm from each other points 4, 5, 6
2. Twist the supplied screws in the plugs.
3. Twist metal suspension elements (SE) in the screws.
4. Pull each steel cable (3x) through the hole at the bottom of the SE, until you reach the desired height. To pull back the steel cable; push the pin below and pull the steel cable at the same time.
5. Remove the metal holder from the rosette and screw into the ceiling.
6. Pull the electric cable trough the hole in the rosette and connect.
7. Reattach rosette to holder.

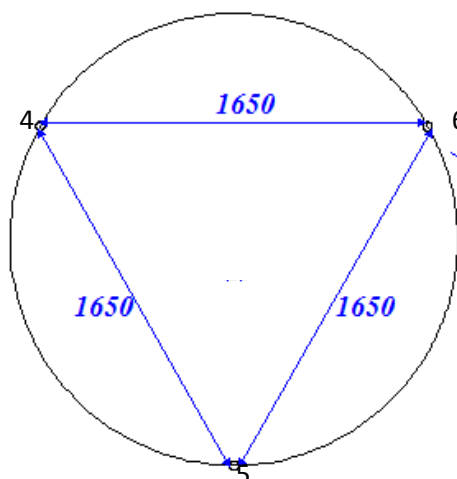
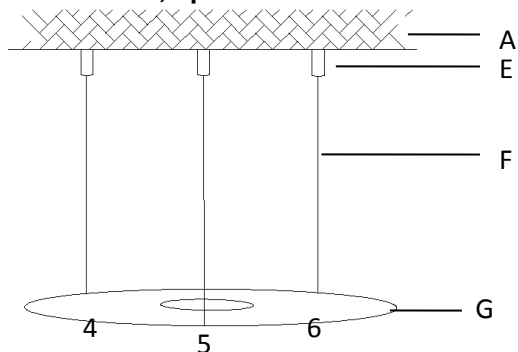
Horizontal, option A



Points of suspension



Horizontal, option B

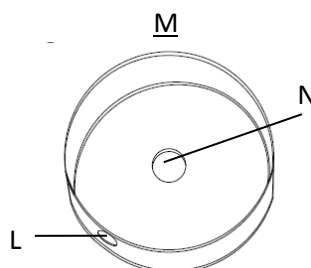
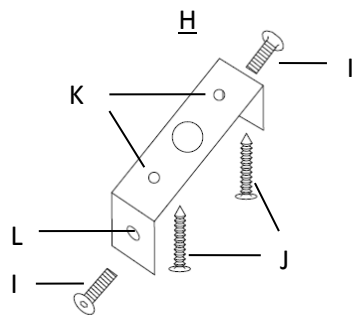
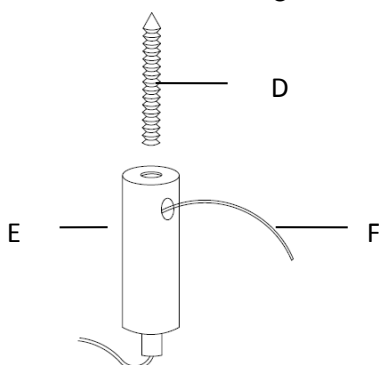
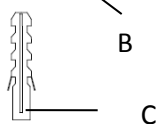
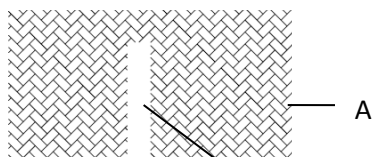
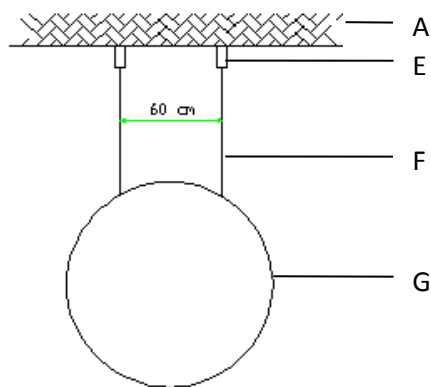


Vertical

1. Attach the 2 plugs in the ceiling, 60 cm from each other.
2. Twist the supplied screws in the plugs.
3. Twist metal suspension elements (SE) in the screws.
4. Pull each steel cable (2x) through the hole at the bottom of the SE, until you reach the desired height. To pull back the steel cable; push the pin below and pull the steel cable at the same time.
5. Remove the metal holder from the rosette and screw into the ceiling.
6. Pull the electric cable trough the hole in the rosette and connect.
7. Re-attach rosette to holder.

Hanging lamp

Vertical



- A. ceiling
- B. hole
- C. plug
- D. screw
- E. metal suspension element
- F. steel cable
- G. sphere
- H. metal holder rosette
- I. bolt
- J. screw
- K. hole screw
- L. hole bolt
- M. rosette
- N. hole electric cable

4. Replacing PL lamps

Remove the Plexiglas plate. Loosen the 3 little screws on every fitting. Remove the PL and replace by a new one. Twist the 3 little screws on every fitting back in position and replace the Plexiglas.

5. Warranty

Eden Design's warranty obligations for this product are limited to the terms set forth below:

Eden Design warrants this Eden Design-branded product against defects in materials and workmanship under normal use for a period of ONE (2) YEAR from the date of retail purchase by the original end-user purchaser ("Warranty Period"). If a defect arises and a valid claim is received within the Warranty Period, at its option and to the extent permitted by law, Eden Design will either (1) repair the defect at no charge, using new or parts equivalent to new in performance and reliability, (2) exchange the product with a product that is new or equivalent to new in performance and reliability and is at least functionally equivalent to the original product. Eden Design may request that you replace defective parts with new or refurbished user-installable parts that Eden Design provides in fulfillment of its warranty obligation. A replacement product or part, including a user-installable part that has been installed in accordance with instructions provided by Eden Design, assumes the remaining warranty of the original product or ninety (90) days from the date of replacement or repair, whichever provides longer coverage for you. When a product or part is exchanged, any replacement item becomes your property and the replaced item becomes Eden Design's property. Parts provided by Eden Design in fulfillment of its warranty obligation must be used in products for which warranty service is claimed.

This warranty does not apply to all eventual installed PL-lamps.