

# °turn

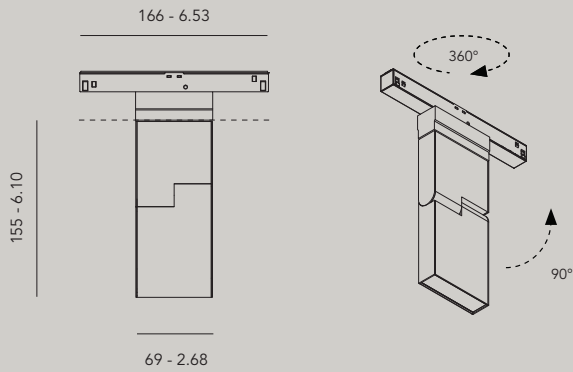
|           |   |
|-----------|---|
| materials | aluminium coated or anodised / PC                                   |
| weight    | 400gr / 0.88lb  |
| voltage   | 48 Vdc  |
| wattage   | 9,6 W   |
| dimming   | DALI, 0-10V, 1-10V, switchDIM, Casambi, Google Home & Amazon Alexa* |

\*from Q3 2020

IP20    ENEC



°turn - 25°



#### Order Code

10800.AA00.BBBB.CCC.DD turn

10803.AA00.BBBB.CCC.DD turn monopoint

| AA | Finish               |
|----|----------------------|
| 01 | black                |
| 02 | white                |
| 22 | aluminum anodised    |
| 23 | brass anodised       |
| 25 | bronze anodised      |
| 26 | dark bronze anodised |

| BBBB | Light                       |
|------|-----------------------------|
| 9027 | cri >90, 2700K              |
| 9030 | cri >90, 3000K              |
| 9040 | cri >90, 4000K - on request |

| CCC | Optic             | Output*        |
|-----|-------------------|----------------|
| 250 | 25°               | 790lm - 2820cd |
| 400 | 40°               | 740lm - 1670cd |
| 001 | frosted ice       | 500lm - 220cd  |
| 002 | microprism        | 490lm - 280cd  |
| 251 | 25° + frosted ice | 640lm - 540cd  |
| 252 | 25° + microprism  | 590lm - 710cd  |

| DD | Dimming  |
|----|--|
| ND | no dimming   |
| DA | dali (0/1-10V, switchDIM, Casambi through interface) |

#### Accessories

10103 line S plasterkit turn

\* Values for 3000K. Color temperature influences the lumen output. Download complete photometric data on our website.