

°o-disk

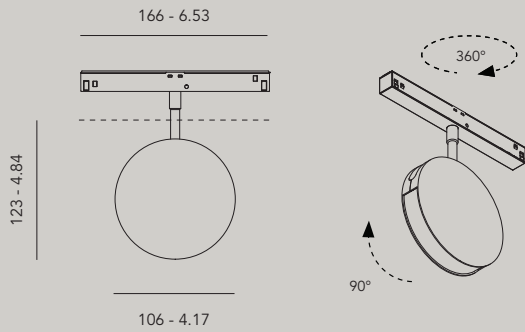
materials	aluminium coated or anodised / PC
weight	255gr / 0.56lb
voltage	48 Vdc
wattage	9,6 W
dimming	DALI, 0-10V, 1-10V, switchDIM, Casambi, Google Home & Amazon Alexa*

*from Q3 2020

IP20  CE ENEC



°o-disk - frosted ice



Order Code

11200.AA00.BBBB.CCC.DD o-disk

11203.AA00.BBBB.CCC.DD o-disk monopoint

AA	Finish	
01	black	
02	white	
22	aluminum anodised	on request
23	brass anodised	on request
25	bronze anodised	on request
26	dark bronze anodised	on request
BBBB	Light	
9027	cri >90, 2700K	
9030	cri >90, 3000K	
9040	cri >90, 4000K - on request	
CCC	Optic	Output*
001	frosted ice	255lm - 160cd
DD	Dimming	
ND	no dimming	
DA	dali (0/1-10V, switchDIM, Casambi through interface)	

Accessories

10105 line S plasterkit o/u-disk

* Values for 3000K. Color temperature influences the lumen output. Download complete photometric data on our website.