

# °u-disk

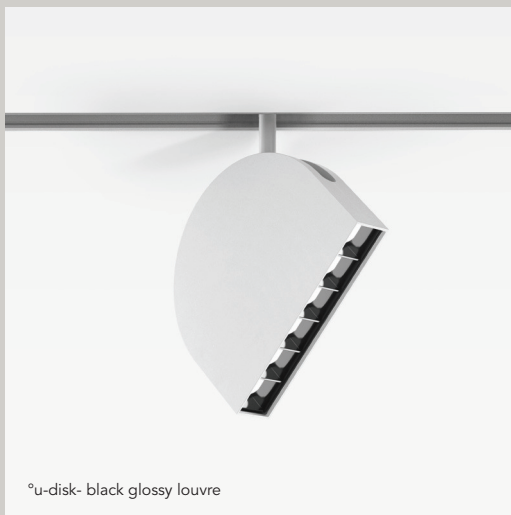
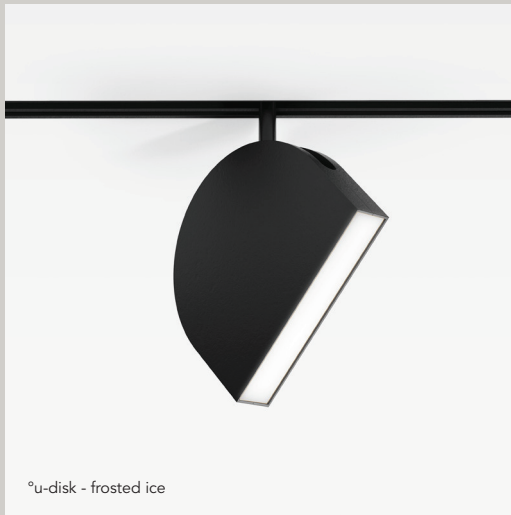
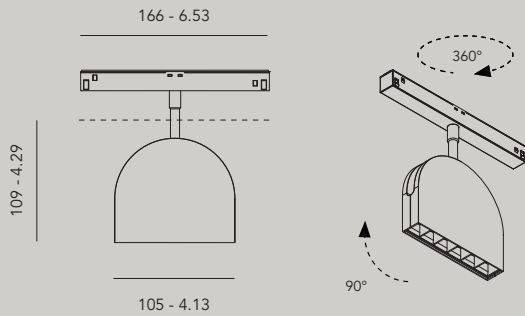
materials	aluminium coated or anodised / PC
weight	255gr / 0.56lb
voltage	48 Vdc
wattage	9,6 W
ugr	louvre <19
dimming	DALI, 0-10V, 1-10V, switchDIM, Casambi, Google Home & Amazon Alexa*

\*from Q3 2020

IP20  CE ENEC



°u-disk- black glossy louvre



**Order Code**

11100.AA00.BBBB.CCC.DD u-disk

11103.AA00.BBBB.CCC.DD u-disk monopoint

**AA Finish**

- 01 black
- 02 white
- 22 aluminum anodised on request
- 23 brass anodised on request
- 25 bronze anodised on request
- 26 dark bronze anodised on request

**BBBB Light**

- 9527 cri >95, 2700K
- 9530 cri >95, 3000K
- 9540 cri >95, 4000K - on request

**CCC Optic**

- |     |                         |                 |
|-----|-------------------------|-----------------|
| 001 | frosted ice             | 500lm - 220cd   |
| 002 | microprism              | 550lm - 330cd   |
| 251 | 25° + frosted ice       | 550lm - 460cd   |
| 252 | 25° + microprism        | 580lm - 760cd   |
| 105 | 10° black glossy louvre | 855lm - 18340cd |
| 250 | 25° black glossy louvre | 680lm - 2660cd  |
| 350 | 35° black glossy louvre | 680lm - 2000cd  |

**Output\***

**DD Dimming**

- ND no dimming
- DA dali (0/1-10V, switchDIM, Casambi through interface)

**Accessories**

- 10105 line S plasterkit o/u-disk

\* Values for 3000K. Color temperature influences the lumen output. Download complete photometric data on our website.