

# °xl(amp)

This lamp was initially designed to mark the edge of a fair booth and simultaneously present images on the inside. The lamp shade foil is foldable. This allows for easy transport and makes it possible to cover the lamp with a photo film. The lamp, by virtue of its size, defines its own space.

Design by Bart Lens





°XL(amp) with print on the inside / Wolwinkel, Hasselt - architect Lens²ass





Office Nulens, Belgium - architect Lens°ass - photograph by Philippe van Gelooven



Masseria Antonio Augusto, Leverano, Italy - photograph by Marcello Moscara



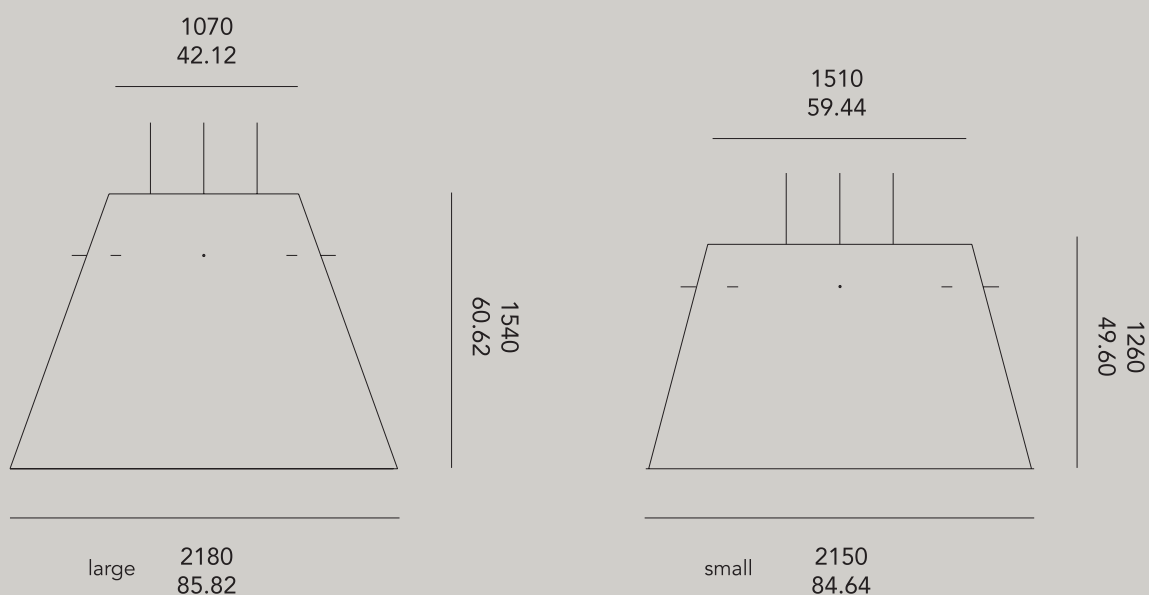
Kaunas International Airport - Architectural Bureau G.Natkevicius & Partners - photograph by G. Česonis



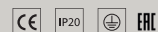




Kitchen concept Obumex - architect Lens°ass

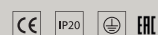


## °xl(amp) large



<b>XL.154.000</b>	Xlamp h154 - 1 x E27 - excl lamp
<b>XL.154.RGB.M</b>	Xlamp h154 - 1 x E27 socket + RGB LED Master with remote control - excl lamp
<b>XL.154.RGB.S</b>	Xlamp h154 - 1 x E27 socket + RGB LED slave - excl lamp
<b>XL.154.RGB.DMX</b>	Xlamp h154 - 1 x E27 socket + RGB LED DMX controllable - excl lamp
<b>XL.154.RGB.DAL</b>	Xlamp h154 - 1 x E27 socket + RGB LED DALI controllable - excl lamp

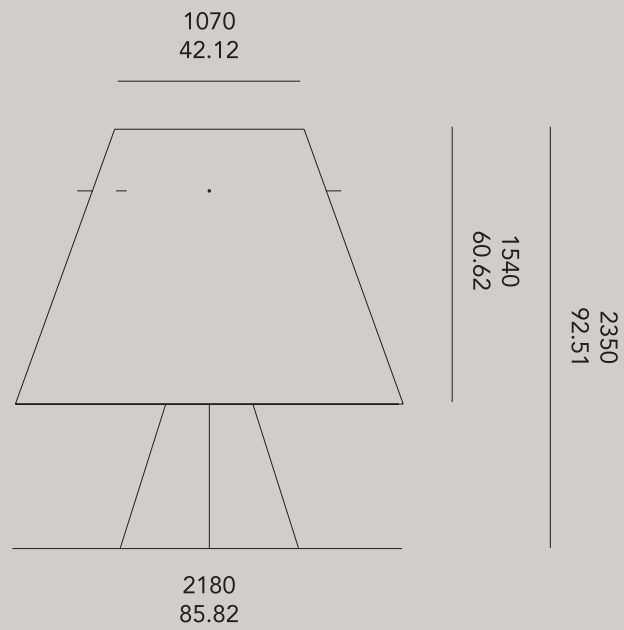
## °xl(amp) small



<b>XL.126.000</b>	Xlamp h126 - 1 x E27 - excl lamp
<b>XL.126.RGB.M</b>	Xlamp h126 - 1 x E27 socket + RGB LED Master with remote control - excl lamp
<b>XL.126.RGB.S</b>	Xlamp h126 - 1 x E27 socket + RGB LED slave - excl lamp
<b>XL.126.RGB.DMX</b>	Xlamp h126 - 1 x E27 socket + RGB LED DMX controllable - excl lamp
<b>XL.126.RGB.DAL</b>	Xlamp h126 - 1 x E27 socket + RGB LED DALI controllable - excl lamp

material: polyester - weight: max 34kg / 1.200oz - included: 2m cable, ceiling rose, 3 suspension elements - 230VAC - max 1000W





°xl(amp) floor



XL.154.127.FLR

1xE27 socket floor - excl lamp

material: polyester & steel - weight 36 kg / 1270 oz - included: 2m cable - 230VAC - max 1000W