

# °sphere

Belgian architect Bart Lens needed a large lamp that would create an encircling sphere of light above the conference table in their office, and so began the search. After a long and fruitless quest, he finally decided to design his own mega-light with the “sphere” of a dome. The result has been likened to a “Calimero” dome, a giant bell, a half moon.... Everybody seems to have a different name for it.

Design by Bart Lens





°sphere large / architect Lens°ass



°sphere large / office



°sphere large / House Roeselare, Belgium - architect Lens°ass - photograph by Bieke Claessens



°sphere large / "Rabbit Hole", Belgium - architect Lens°ass - photograph by Philippe van Gelooven



\*sphere large / 'Offices Mars Company', Moscow - realised by LT Project - architect UNK Project



°sphere large / Concept Store Hasselt, Belgium - architect Lens°ass - photograph by Philippe van Gelooven





\*sphere large / Indera upholstery - photograph by Decovan - Home-Art



°sphere large / b&b moka & vanille, Heusden-Zolder - moka-projects



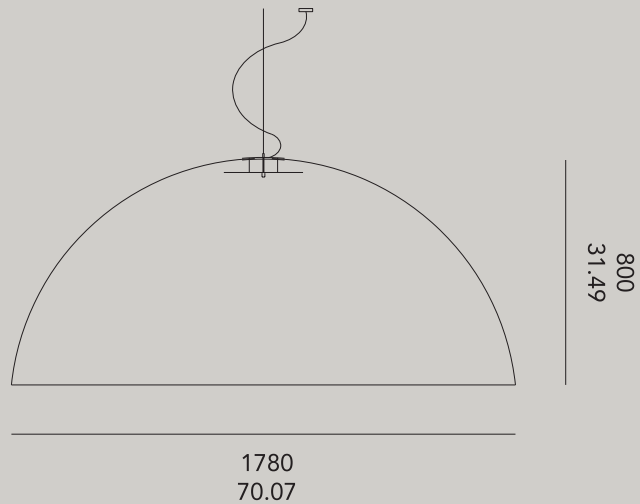
°sphere large / MRKT - Hirshleifers, NY, USA



°sphere large with imitation gold leaf / MRKT - Hirshleifers, NY, USA



°sphere large / Grey Toned, the Netherlands - architect Studio Niels



## °sphere large 178



<b>SPH.L.127.000</b>	1 x E27 socket - excl lamp
<b>SPH.L.227.000</b>	2 x E27 socket - excl lamps
<b>SPH.L.327.000</b>	3 x E27 socket - excl lamps
<b>SPH.L.427.000</b>	4 x E27 socket - excl lamps
<b>SPH.L.227.OPD</b>	2 x E27 socket with pull dimmer - excl. light bulbs
<b>SPH.L.327.OPD</b>	3 x E27 socket with pull dimmer - excl. light bulbs
<b>SPH.L.1LED.10V</b>	1 x LED module 3000lm cri90+, 37,5W, dimmable (1-10V)*
<b>SPH.L.1LED.DAL</b>	1 x LED module 3000lm cri90+, 37,5W, dimmable (DALI)*
<b>SPH.L.3LED.PHA</b>	3 x LED module 3750lm cri90+, 46,5W, dimmable (phase cut)*
<b>SPH.L.3LED.10V</b>	3 x LED module 9000lm cri90+, 112,5W, dimmable(1-10V)*
<b>SPH.L.3LED.DAL</b>	3 x LED module 9000lm cri90+, 112,5W, dimmable(DALI)*
<b>SPH.L.LEDV2.DAL</b>	1 x LED disc 4000lm, 3000K

\*2700K Warm white, 3000K on request

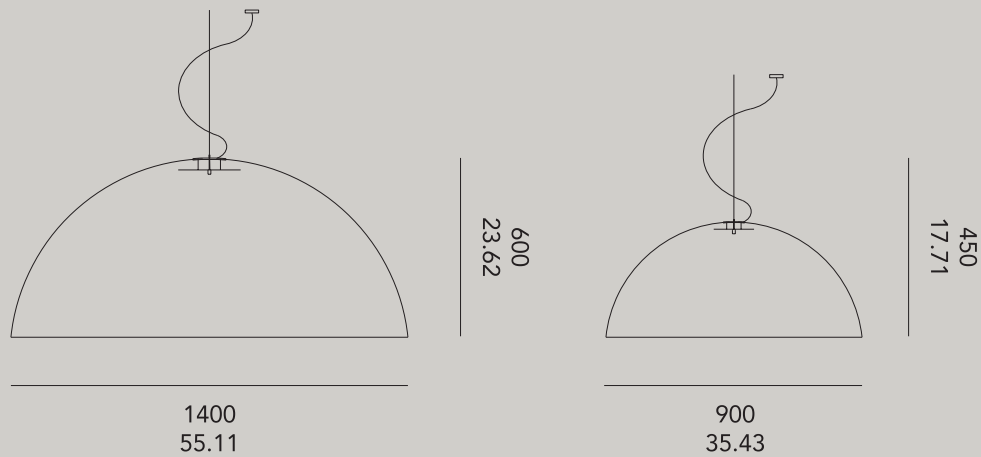
**PLX.SPH.50** coverplate diffuser plexi 50 cm Ø

material: ABS plastic, optional RAL colors / gold leaf both inside and out - weight: 25,5 kg / 899,48 oz

included : 2 m cable, ceiling rose and suspension - 230VAC - max 250W



°sphere small / Beach house Knokke - architect Glenn Reynaert - photograph by Hendrik Biegs



°sphere medium 140

°sphere small 90

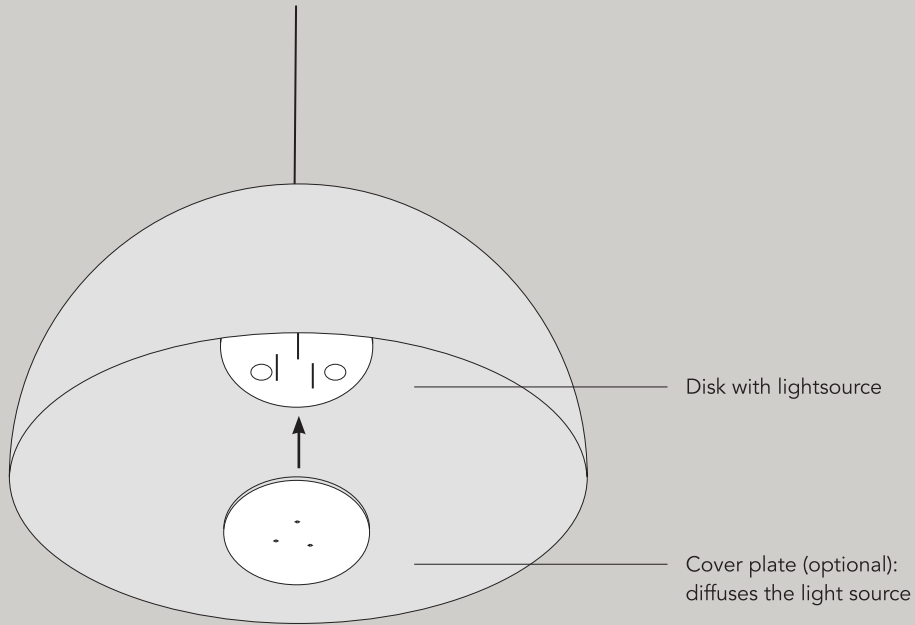


SPH.M.127.000	SPH.S.127.000	1 x E27 socket - excl lamp
SPH.M.227.000	SPH.S.227.000	2 x E27 socket - excl lamps
SPH.M.327.000	SPH.S.327.000	3 x E27 socket - excl lamps
SPH.M.427.000	SPH.S.427.000	4 x E27 socket - excl lamps
SPH.M.227.0PD	SPH.S.227.0PD	2 x E27 socket with pull dimmer - excl. light bulbs
SPH.M.327.0PD	SPH.S.327.0PD	3 x E27 socket with pull dimmer - excl. light bulbs
SPH.M.1LED.PHA	SPH.S.1LED.PHA	1 x LED module 1250lm cri90+, 15,5W, dimmable (phase cut) 2700K warm white*
SPH.M.1LED.10V	-	1 x LED module 3000lm cri90+, 37,5W, 2700K warm white*, dimmable (1-10V)
SPH.M.1LED.DAL	-	2700K warm white*, dimmable (DALI)
SPH.M.3LED.PHA	-	3 x LED module 3750lm cri90+, 46,5W, Dimmable (phase cut) 2700K warm white*
SPH.M.3LED.10V	-	3 x LED module 9000lm cri90+, 112,5W, 2700K warm white*, dimmable (1-10V)
SPH.M.3LED.DAL	-	2700K warm white*, dimmable (DALI)
SPH.M.LEDV2.DAL	-	1 x LED disc 4000lm + coverplate, 3000K
		*3000K on request
PLX.SPH.35		coverplate plexi 35 cm Ø
PLX.SPH.50		coverplate plexi 50 cm Ø

material: ABS plastic, optional RAL colors / gold leaf both inside and out - weight M: 13,5 kg - 476 oz - weight S: 5 kg - 176 oz  
 included: 2 m cable, ceiling rose and suspension - 230VAC - sphere small: max 100W - sphere medium: max 150W



# lightsources for °sphere



1 x socket E27 (diam. 150mm)  
excl. light bulbs



3 x socket E27 (diam. 300mm)  
excl. light bulbs



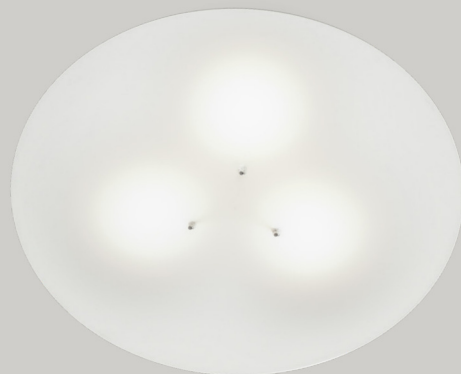
1 x LED module (diam. 300mm)



1 x LED disc (diam. 315mm)  
with coverplate 350mm (incl.)  
(equal light source)



3 x LED module (diam. 400mm)



3 x LED module (diam. 400mm) or  
3 x E27 (diam. 300mm)  
with cover plate 500mm