

°cd

°cd is a spot, especially developed for cast concrete ceilings.
This collection of spotlights is almost invisibly integrated into the ceiling and can also be combined with a ventilation nozzle.
It offers a solution for the proliferation of surface-mounted devices for ceiling techniques; usually in various sizes and shapes, not compatible with each other.
The spots can easily be mounted in drilled or poured holes in the ceiling. An extra advantage is that the character of a concrete ceiling is additionally exposed.

Design by rubens-frederix architects & etre moderne

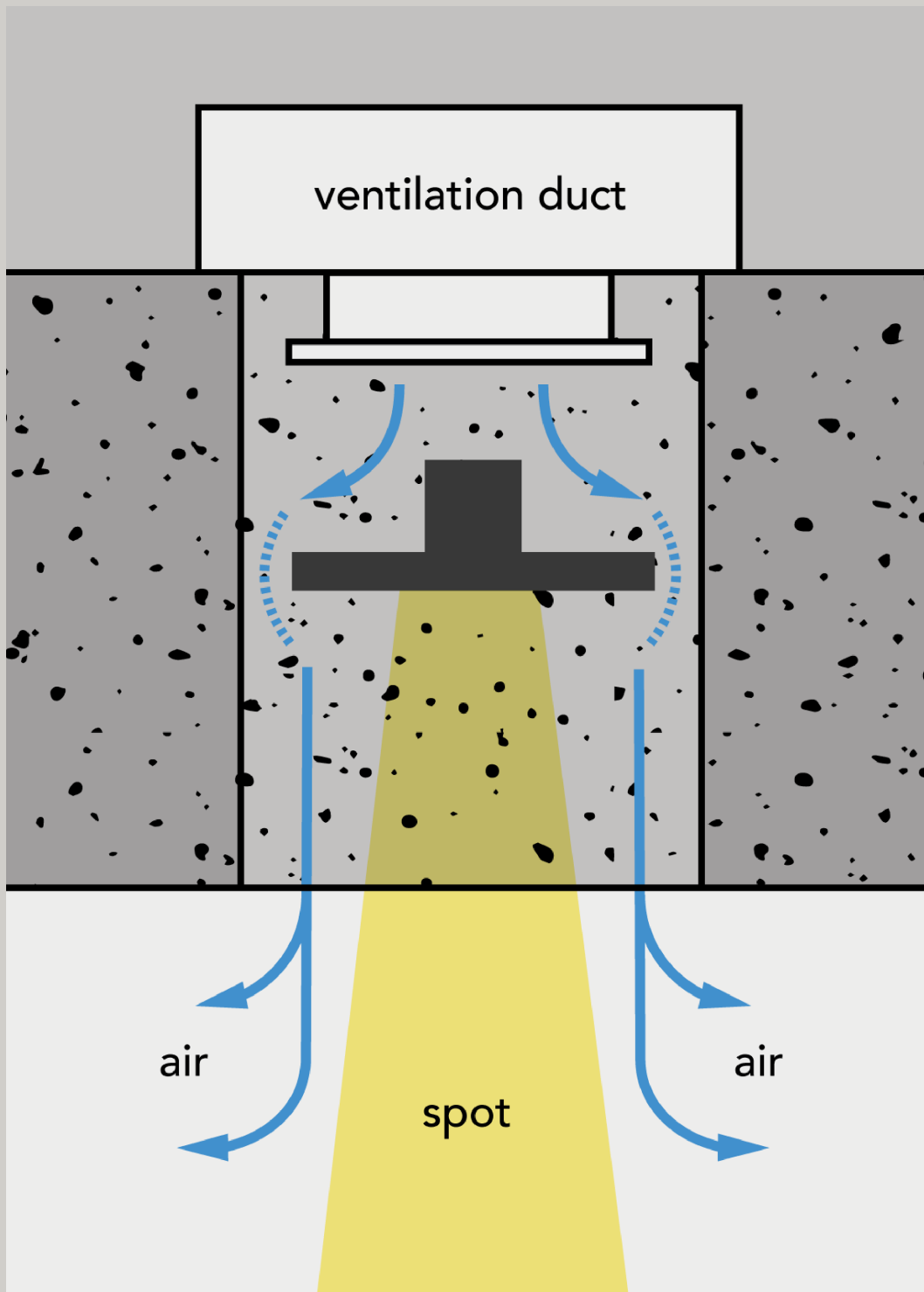




 GERMAN
DESIGN
AWARD
SPECIAL
2019







Scheme ventilation



Easy installation

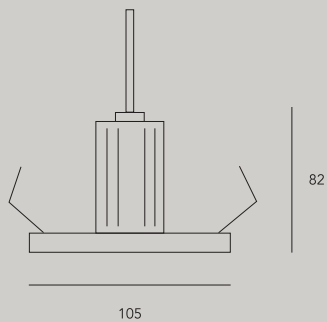
°cd

material	aluminum, oak
weight	0,8 - 1,6 kg / 0,52 - 1,04 lb
voltage	240 Vac
cri	>90
wattage	10W
lumen	700 lm
dimming	phase cut dimmable (dimming range 0,1 to 100 %) or dali

IP20   



Rubenshuis, Hasselt - architect Rubens-Frederix architects - photograph by etre moderne

**Order Code**

04200.AA00.BBBB.CCC.DD

AA Finish

01	black
02	white
22	aluminum anodised brushed
34	aluminum polished
21	black anodised brushed
23	brass anodised brushed
25	bronze anodised brushed
26	dark bronze anodised brushed
41	oak natural
42	oak classic brown
43	oak black

BBBB Light

9027	cri >90, 2700K
9030	cri >90, 3000K
9040	cri >90, 4000K

CCC Optic

240	24°	670lm - 1550cd
360	36°	700lm - 1070cd

Output***DD Dimming**

PH	phase cut
DA	dali

Accessories

04210	mould for concrete ceiling
04211	control valve 1
04212	control valve 2



* Values for 3000K. Color temperature influences the lumen output.
Download complete photometric data on our website.