

set-up guide

track

bloc spot

300 - 11.81

20° or 40°, both with a black anti-glare louvre

bloc stripe

300 - 11.81

frosted ice or microprism diffuser

bloc stripe

600 - 23.62

frosted ice or microprism diffuser

bloc

300 - 11.81

bloc

600 - 23.62

bloc

900 - 35.43

bloc end

300 - 11.81

bloc end

600 - 23.62

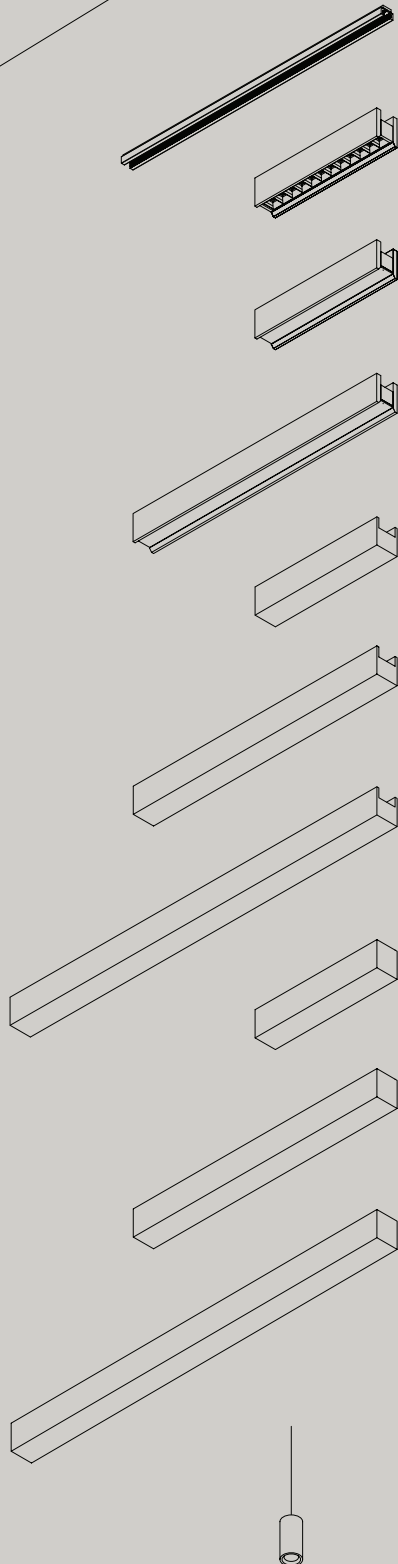
bloc end

900 - 35.43

bloc bevel

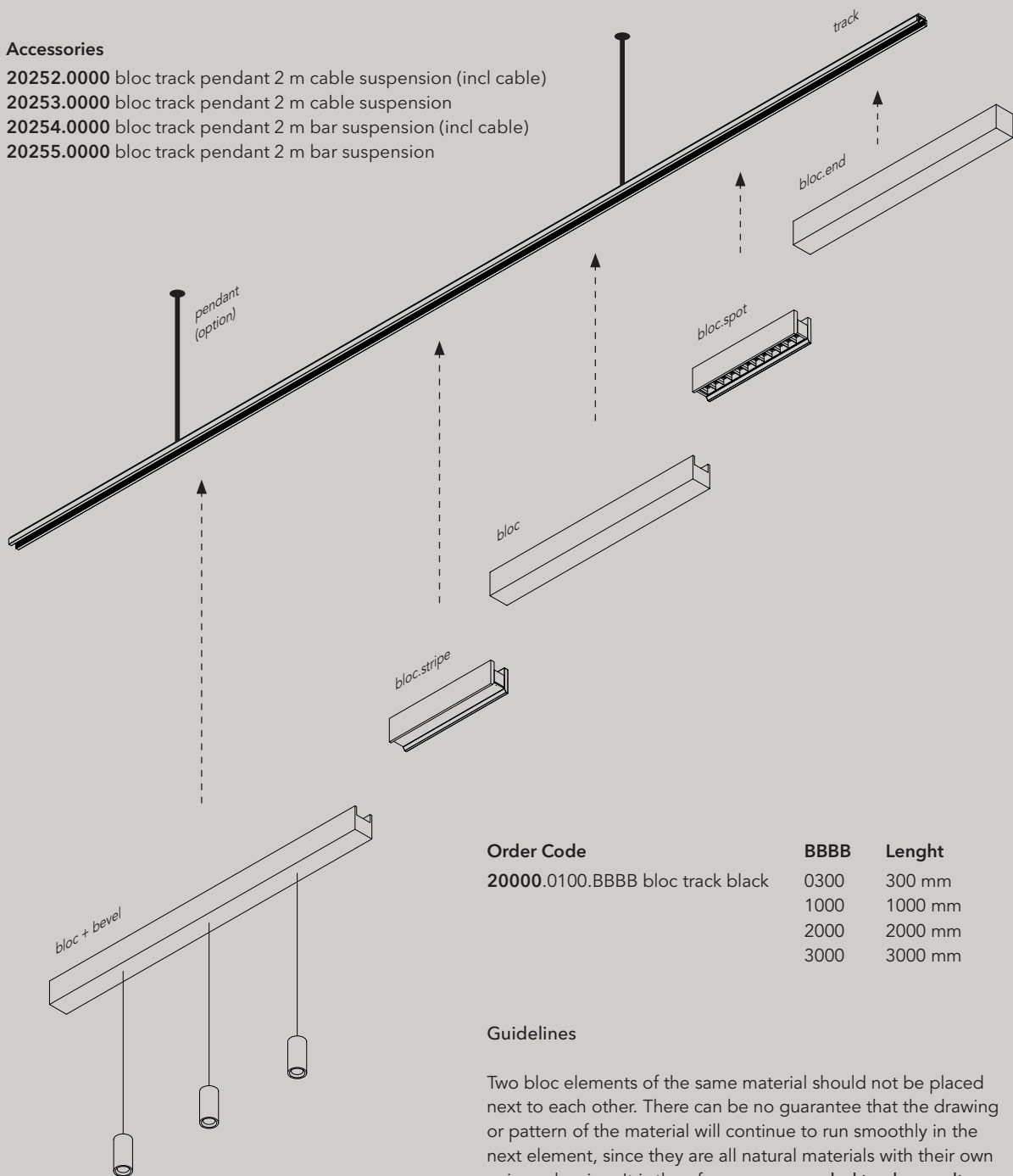
55x110

2.16x4.33



Accessories

- 20252.0000 bloc track pendant 2 m cable suspension (incl cable)
- 20253.0000 bloc track pendant 2 m cable suspension
- 20254.0000 bloc track pendant 2 m bar suspension (incl cable)
- 20255.0000 bloc track pendant 2 m bar suspension

**Order Code**

20000.0100.BBBB bloc track black

BBBB**Lenght**

0300	300 mm
1000	1000 mm
2000	2000 mm
3000	3000 mm

Guidelines

Two bloc elements of the same material should not be placed next to each other. There can be no guarantee that the drawing or pattern of the material will continue to run smoothly in the next element, since they are all natural materials with their own unique drawing. It is therefore **recommended to always alternate between the materials.**

A bloc.stripe or a bloc.spot should be placed between two elements without light (full material). It is **recommended not to place two elements with light next to each other.**

A bloc.spot or bloc.stripe should **never be used at the end of the track, unless the end of the track fits against a wall.**



