

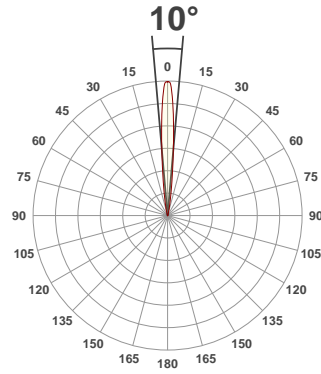
Light efficiency:



Light quality:



Color temperature:



Product name:

turn plus 10deg 3000K

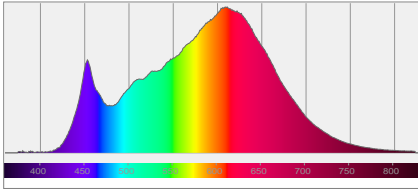
Item number:

Date and time:

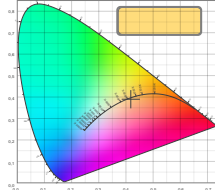
1/02/2020 15:01:07

Output: 1195 Lumen Power consumption: 13,0

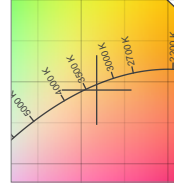
Spectral distribution



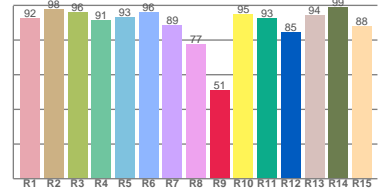
Color coordinates



White color point

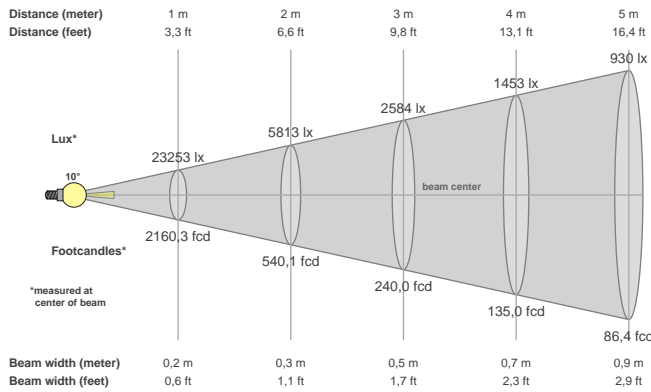


CRI R values



Color temperature	Color rendering index	Red component	Color fidelity	Color gamut	Color quality scale	Color coordinate cie 1931	Color coordinate cie 1931	Color coordinate	Color coordinate	Color deviation from black body
CCT	CRI	CRI R9	TM30 Rf	TM30 Rg	CQS	x	y	u	v	Δuv
3234 K	91,6	50,9	89,9	98,3	90,0	0,418	0,390	0,244	0,342	-0,0029

Beam details



Beam angles

Beam angle 50%	Field angle 10%	Cutoff angle 2,5%
10°	20,7°	30,3°

Beam intensities

Peak intensity	Int. ratio in 120° cone	Int. ratio in 90° cone
23253 cd	91,8%	90,2%

Beam intensities from 1-20m

1m	2m	3m	4m	5m	6m	7m	8m	9m	10m	11m	12m	13m	14m	15m	16m	17m	18m	19m	20m
3,3ft	6,6ft	9,8ft	13,1ft	16,4ft	19,7ft	23ft	26,2ft	29,5ft	32,8ft	36,1ft	39,4ft	42,7ft	45,9ft	49,2ft	52,5ft	55,8ft	59,1ft	62,3ft	65,6ft
23253lx	5813lx	2584lx	1453lx	930lx	646lx	475lx	363lx	287lx	233lx	192lx	161lx	138lx	119lx	103lx	91lx	80lx	72lx	64lx	58lx
2160,3fcd	540,1fcd	240fcd	135fcd	86,4fcd	60fcd	44,1fcd	33,8fcd	26,7fcd	21,6fcd	17,9fcd	15fcd	12,8fcd	11fcd	9,6fcd	8,4fcd	7,5fcd	6,7fcd	6fcd	5,4fcd

Power scope

Power	Power factor	Power frequency
13,0 W	0,9	{FREQ } Hz

Nominal voltage	Voltage	Current
230 V	48,0 V	0,270 A