

Light efficiency:

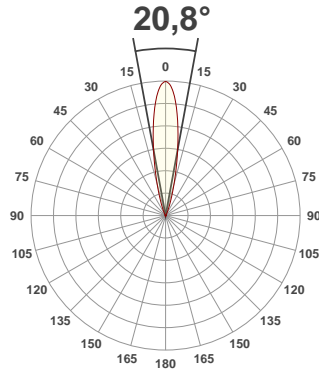
**67 Lumen/Watt**

Light quality:

**CRI: 96,0**

Color temperature:

**2745 K**



Product name:

**IN-143 2700K 20deg LS**

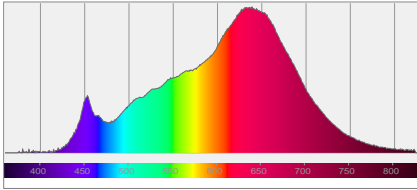
Item number:

Date and time:

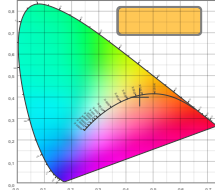
**3/10/2019 19:36:09**

**Output: 387 Lumen Power consumption: 5,8**

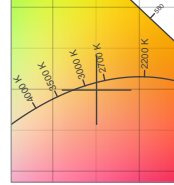
**Spectral distribution**



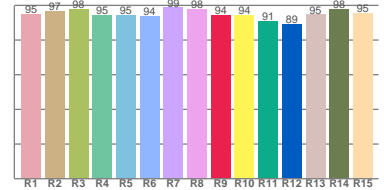
**Color coordinates**



**White color point**

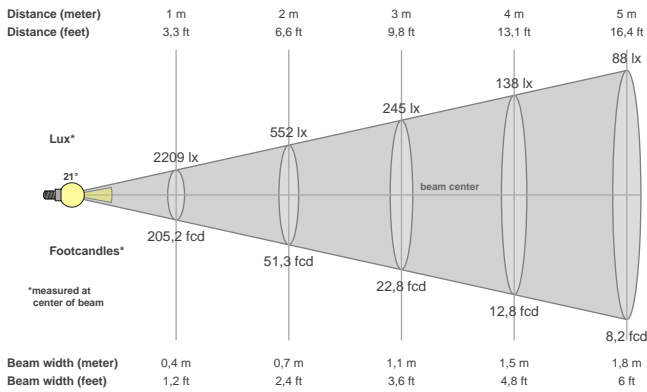


**CRI R values**



Color temperature	Color rendering index	Red component	Color fidelity	Color gamut	Color quality scale	Color coordinate cie 1931	Color coordinate cie 1931	Color coordinate	Color coordinate	Color deviation from black body
CCT	CRI	CRI R9	TM30 Rf	TM30 Rg	CQS	x	y	u	v	Δuv
2745 K	96,0	94,3	95,2	103,4	95,4	0,451	0,399	0,262	0,348	-0,0036

**Beam details**



**Beam angles**

Beam angle 50%	Field angle 10%	Cutoff angle 2,5%
<b>20,8°</b>	<b>39,4°</b>	<b>54°</b>

**Beam intensities**

Peak intensity	Int. ratio in 120° cone	Int. ratio in 90° cone
<b>2209 cd</b>	<b>94,2%</b>	<b>93,4%</b>

**Beam intensities from 1-20m**

1m	2m	3m	4m	5m	6m	7m	8m	9m	10m	11m	12m	13m	14m	15m	16m	17m	18m	19m	20m
3,3ft	6,6ft	9,8ft	13,1ft	16,4ft	19,7ft	23ft	26,2ft	29,5ft	32,8ft	36,1ft	39,4ft	42,7ft	45,9ft	49,2ft	52,5ft	55,8ft	59,1ft	62,3ft	65,6ft
2209lx	552lx	245lx	138lx	88lx	61lx	45lx	35lx	27lx	22lx	18lx	15lx	13lx	11lx	10lx	9lx	8lx	7lx	6lx	6lx
205,2fcd	51,3fcd	22,8fcd	12,8fcd	8,2fcd	5,7fcd	4,2fcd	3,2fcd	2,5fcd	2,1fcd	1,7fcd	1,4fcd	1,2fcd	1fcd	0,9fcd	0,8fcd	0,7fcd	0,6fcd	0,6fcd	0,5fcd

**Power scope**

--	--	--	--	--	--	--	--	--	--	--	--	--	--	--	--	--	--	--	--	--

Power	Power factor	Power frequency
<b>5,8 W</b>	<b>0,71</b>	<b>{FREQ } Hz</b>

Nominal voltage	Voltage	Current
<b>230 V</b>	<b>48,0 V</b>	<b>0,120 A</b>