

Light efficiency:

**55 Lumen/Watt**

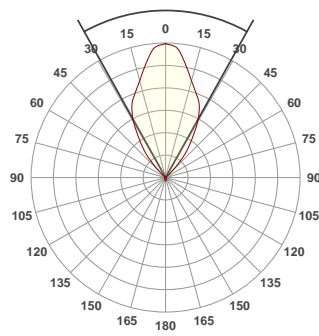
Light quality:

**CRI: 95,9**

Color temperature:

**2757 K**

**58,3°**



Product name:

**IN-143 2700K 60deg LS**

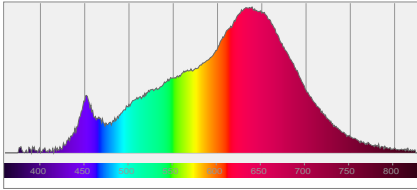
Item number:

Date and time:

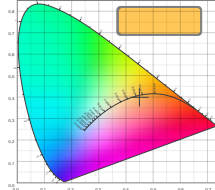
**3/10/2019 19:12:02**

Output: 343 Lumen Power consumption: 6,2

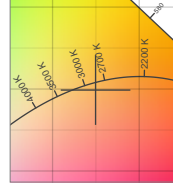
Spectral distribution



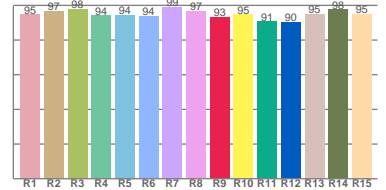
Color coordinates



White color point

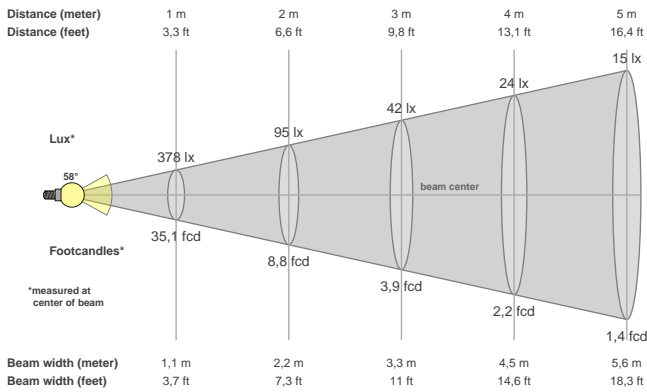


CRI R values



| Color temperature | Color rendering index | Red component | Color fidelity | Color gamut | Color quality scale | Color coordinate cie 1931 | Color coordinate cie 1931 | Color coordinate | Color coordinate | Color deviation from black body |
|-------------------|-----------------------|---------------|----------------|-------------|---------------------|---------------------------|---------------------------|------------------|------------------|---------------------------------|
| CCT               | CRI                   | CRI R9        | TM30 Rf        | TM30 Rg     | CQS                 | x                         | y                         | u                | v                | Δuv                             |
| 2757 K            | 95,9                  | 93,0          | 95,3           | 103,8       | 95,3                | 0,450                     | 0,399                     | 0,261            | 0,347            | -0,0036                         |

Beam details



Beam angles

| Beam angle 50% | Field angle 10% | Cutoff angle 2,5% |
|----------------|-----------------|-------------------|
| <b>58,3°</b>   | <b>88,5°</b>    | <b>97,1°</b>      |

Beam intensities

| Peak intensity | Int. ratio in 120° cone | Int. ratio in 90° cone |
|----------------|-------------------------|------------------------|
| <b>378 cd</b>  | <b>94,1%</b>            | <b>91,7%</b>           |

Beam intensities from 1-20m

| 1m      | 2m     | 3m     | 4m     | 5m     | 6m     | 7m     | 8m     | 9m     | 10m    | 11m    | 12m    | 13m    | 14m    | 15m    | 16m    | 17m    | 18m    | 19m    | 20m    |
|---------|--------|--------|--------|--------|--------|--------|--------|--------|--------|--------|--------|--------|--------|--------|--------|--------|--------|--------|--------|
| 3,3ft   | 6,6ft  | 9,8ft  | 13,1ft | 16,4ft | 19,7ft | 23ft   | 26,2ft | 29,5ft | 32,8ft | 36,1ft | 39,4ft | 42,7ft | 45,9ft | 49,2ft | 52,5ft | 55,8ft | 59,1ft | 62,3ft | 65,6ft |
| 378lx   | 95lx   | 42lx   | 24lx   | 15lx   | 11lx   | 8lx    | 6lx    | 5lx    | 4lx    | 3lx    | 3lx    | 2lx    | 2lx    | 2lx    | 1lx    | 1lx    | 1lx    | 1lx    | 1lx    |
| 35,1fcd | 8,8fcd | 3,9fcd | 2,2fcd | 1,4fcd | 1fcd   | 0,7fcd | 0,5fcd | 0,4fcd | 0,4fcd | 0,3fcd | 0,2fcd | 0,2fcd | 0,2fcd | 0,2fcd | 0,1fcd | 0,1fcd | 0,1fcd | 0,1fcd | 0,1fcd |

Power scope

| Power        | Power factor | Power frequency  |
|--------------|--------------|------------------|
| <b>6,2 W</b> | <b>0,72</b>  | <b>{FREQ} Hz</b> |

| Nominal voltage | Voltage       | Current        |
|-----------------|---------------|----------------|
| <b>230 V</b>    | <b>48,0 V</b> | <b>0,130 A</b> |

| Power        | Power factor | Power frequency  |
|--------------|--------------|------------------|
| <b>6,2 W</b> | <b>0,72</b>  | <b>{FREQ} Hz</b> |