

Light efficiency:

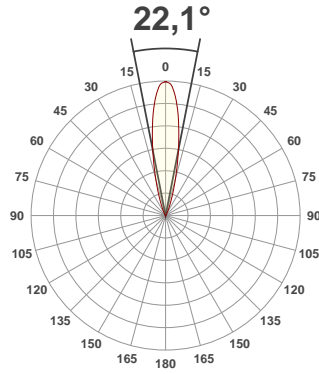
**66 Lumen/Watt**

Light quality:

**CRI: 96,6**

Color temperature:

**3075 K**



Product name:

**IN-286 3000K 20deg**

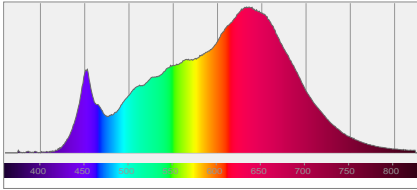
Item number:

Date and time:

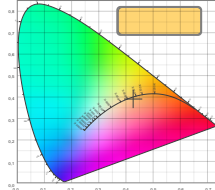
**1/02/2020 15:37:40**

Output: 852 Lumen Power consumption: 13,0

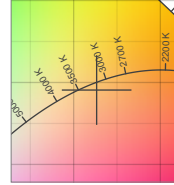
**Spectral distribution**



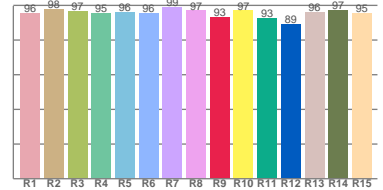
**Color coordinates**



**White color point**

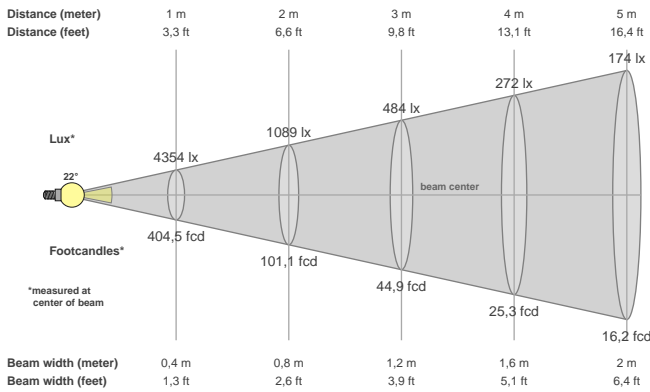


**CRI R values**



Color temperature	Color rendering index	Red component	Color fidelity	Color gamut	Color quality scale	Color coordinate cie 1931	Color coordinate cie 1931	Color coordinate	Color coordinate	Color deviation from black body
CCT	CRI	CRI R9	TM30 Rf	TM30 Rg	CQS	x	y	u	v	Δuv
3075 K	96,6	93,0	95,0	103,6	95,6	0,427	0,391	0,250	0,343	-0,0039

**Beam details**



**Beam angels**

Beam angle 50%	Field angle 10%	Cutoff angle 2,5%
22,1°	42,1°	57,8°

**Beam intensities**

Peak intensity	Int. ratio in 120° cone	Int. ratio in 90° cone
4354 cd	95,9%	95,0%

**Beam intensities from 1-20m**

1m	2m	3m	4m	5m	6m	7m	8m	9m	10m	11m	12m	13m	14m	15m	16m	17m	18m	19m	20m
3,3ft	6,6ft	9,8ft	13,1ft	16,4ft	19,7ft	23ft	26,2ft	29,5ft	32,8ft	36,1ft	39,4ft	42,7ft	45,9ft	49,2ft	52,5ft	55,8ft	59,1ft	62,3ft	65,6ft
4354lx	1089lx	484lx	272lx	174lx	121lx	89lx	68lx	54lx	44lx	36lx	30lx	26lx	22lx	19lx	17lx	15lx	13lx	12lx	11lx
404,5fcd	101,1fcd	44,9fcd	25,3fcd	16,2fcd	11,2fcd	8,3fcd	6,3fcd	5fcd	4fcd	3,3fcd	2,8fcd	2,4fcd	2,1fcd	1,8fcd	1,6fcd	1,4fcd	1,2fcd	1,1fcd	1fcd

**Power scope**


Power	Power factor	Power frequency
13,0 W	0,53	{FREQ } Hz

Nominal voltage	Voltage	Current
230 V	48,0 V	0,270 A