

NEW ITEMS



ZUMI light and acoustics is a Belgian manufacturer that focuses on design, technology and innovation. Our collection offers solutions for architects, interior designers, lighting designers, engineering offices and installers to create projects with lighting and acoustics.

All products are made in Belgium, all electronics come from Europe. We give a 5-year guarantee. Controls, emergency lighting and wireless solutions can also be found with us. Recently we also offer an IOT platform for retail, offices and hospitality.

ZUMI makes the difference by offering a wide range of colour temperatures, tunable white solutions and PI-LED technology. Our devices are equipped with high-quality reflectors with an UGR lower than 19. We also have dimming systems with 1-10V, DALI and DMX.

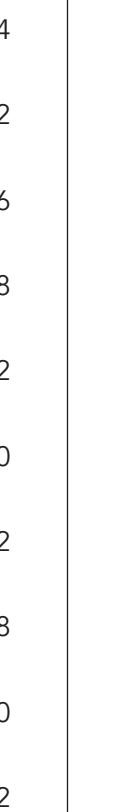
The collection has grown into various possibilities for recessed and surface mounted, track solutions, suspended, wall applications and profiles.

Made to measure is one of our specialties that offers a lot of possibilities to obtain unique results.

We hope to meet you soon for a collaboration in your future projects,

Tony Decavele  
CEO & founder

# Content

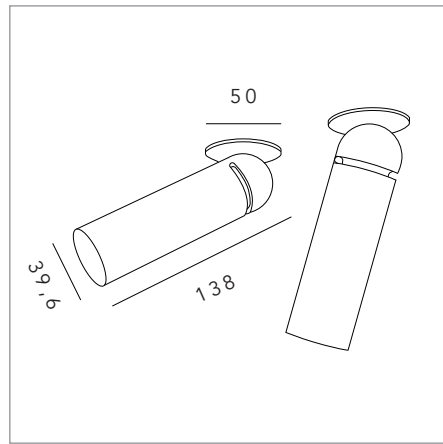


4	PLK SERIES
12	TUBB SERIES
26	ZERO WASTE
28	COPTER INTRACK
32	ACOUSTIC PANEL II
40	U SERIES
42	PROJECTS
58	ZUMI IN THE PICTURE
60	WHY ZUMI?
62	THANKS TO

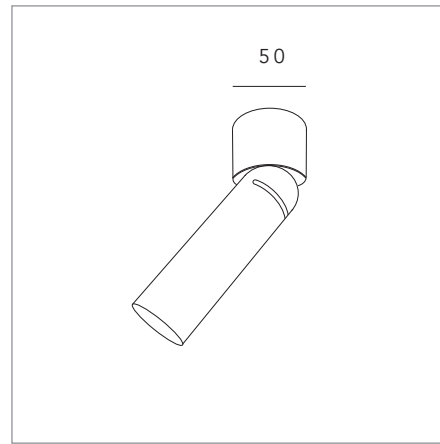
# PLK Series



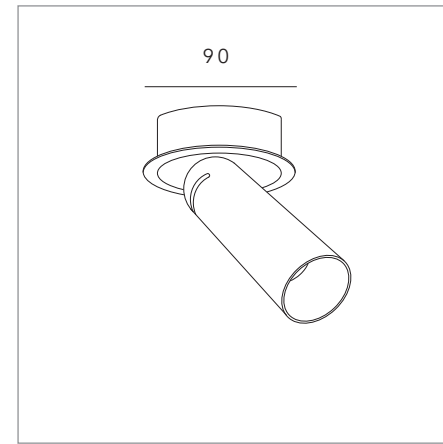
PLK S 50



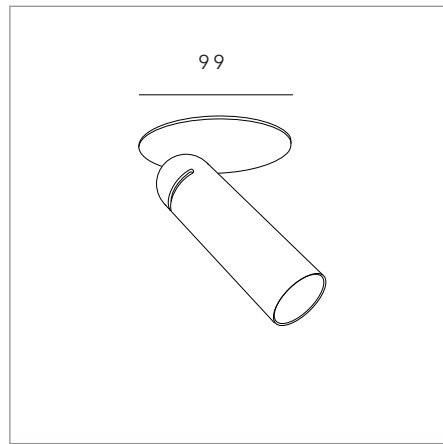
PLK S 50



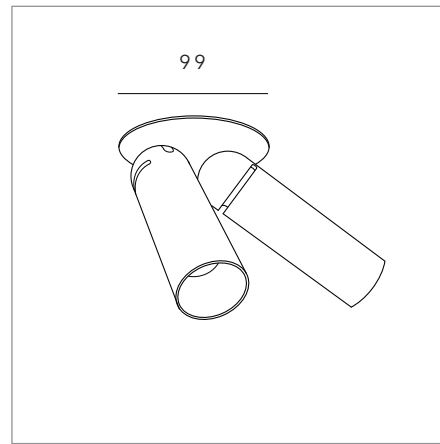
PLK BASE ROUND



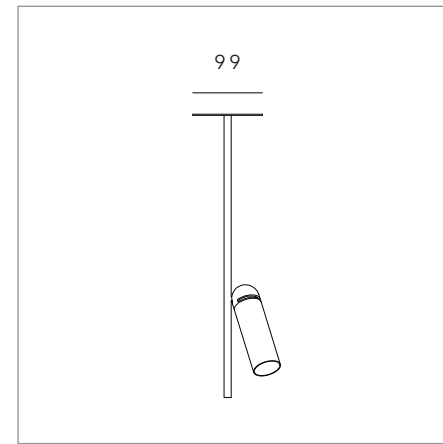
PLK R



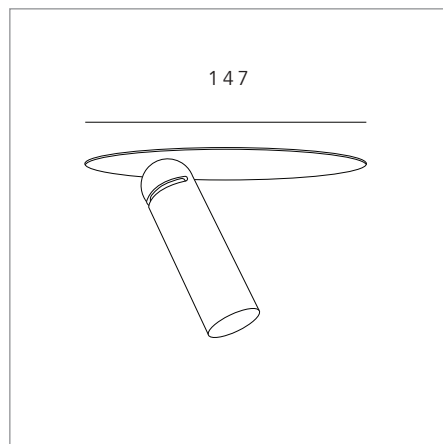
PLK S 99 SINGLE



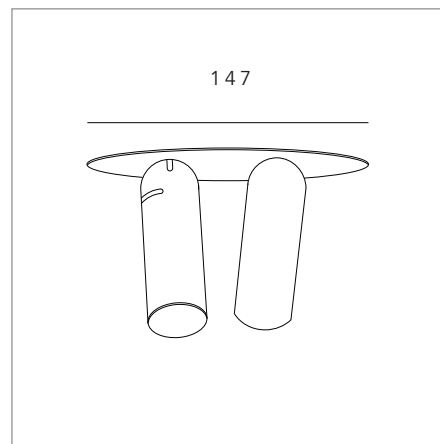
PLK S 99 DOUBLE



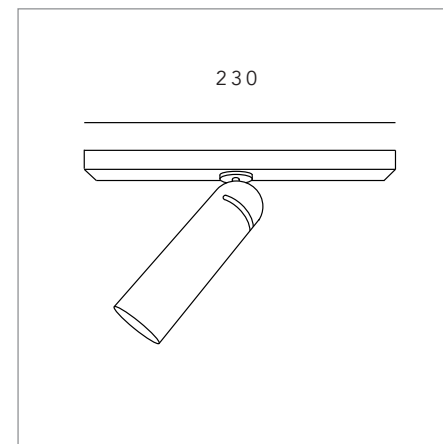
PLK TIGE



PLK S 147 SINGLE



PLK S 147 DOUBLE



PLK TRACK

More possibilities with PLK see ZUMI.BE

COLOURS



WHITE



BLACK



GREY



GOLD



BRONZE



FOREST

PLK TRACK

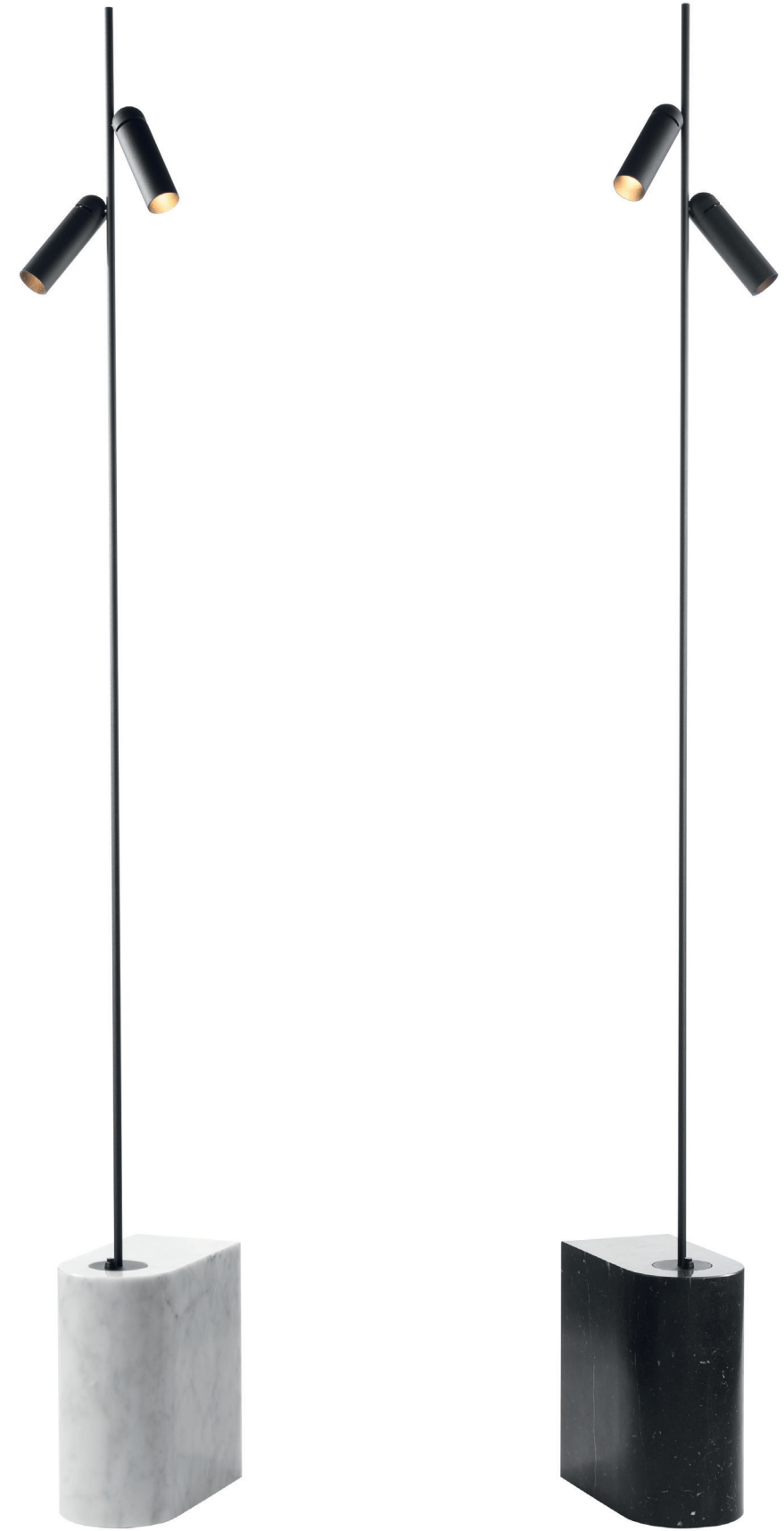


PLK TIGE



Tiges:  
400 mm - 600 mm - 800 mm

PLK FLOOR



BIANCO CARRARA

ON / OFF + DIM  
H: 1800 mm

NERO MARQUINA

ON / OFF + DIM  
H: 1800 mm



# TUBB Series

---



TUBB S80

TUBB SURFACE



Forest

Gold + Honeycomb



White + Honeycomb



Black + Gold Reflector

TUBB S 80

TUBB TRIMLESS

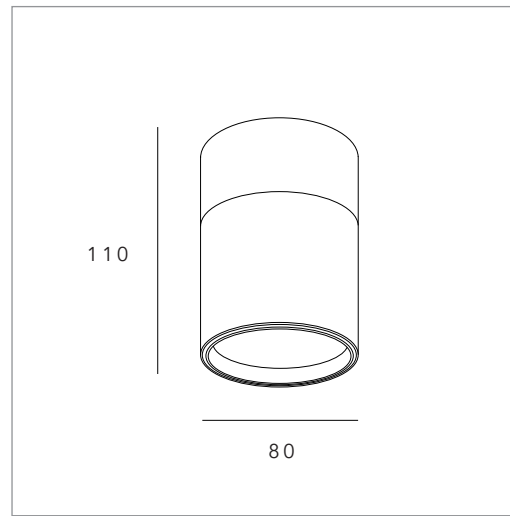


Available in single and double, others on request.

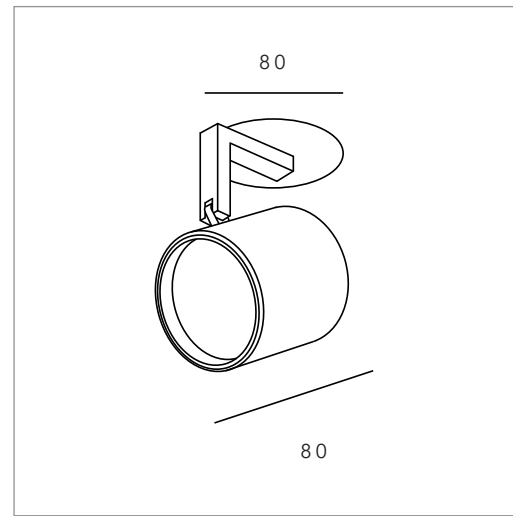


TUBB 3F TRACK

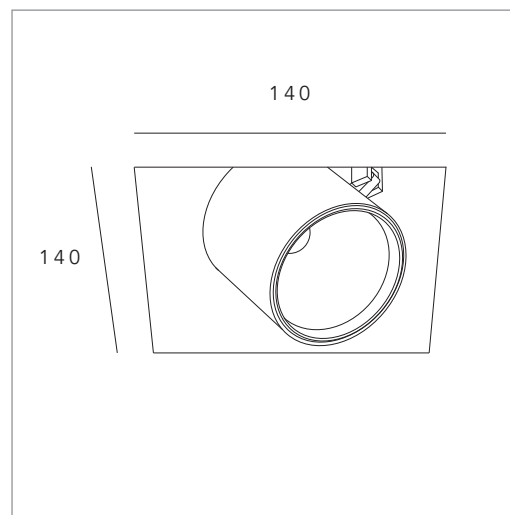




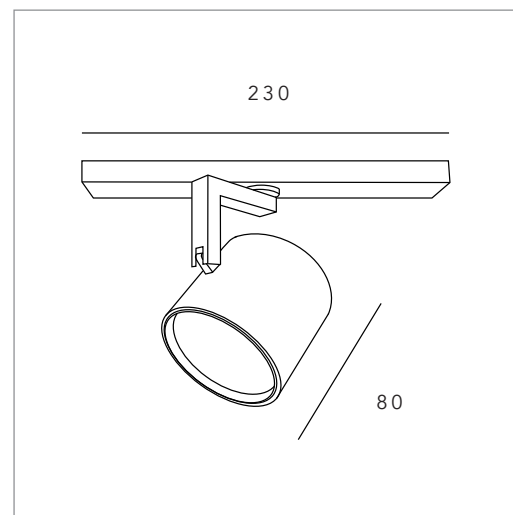
TUBB SURFACE



TUBB S 80



TUBB TRIMLESS



TUBB TRACK

Reflector: silver or gold  
 Angles: 16°, 25°, 39° or 61°  
 Option: honeycomb  
 LED colour: 2400K > 5000K, Art, Fashion, Food

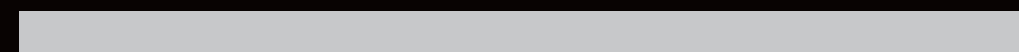
COLOURS



WHITE



BLACK



GREY



GOLD



BRONZE



FOREST

TUBB SILENTI



600 mm

Acoustic Disc: 'coffee'  
Tubb: forest + gold reflector

450 mm

Acoustic Disc: 'tinged with beige'  
Tubb: forest + gold reflector

800 mm

Acoustic Disc: 'tinged with beige'  
Tubb: forest + gold reflector

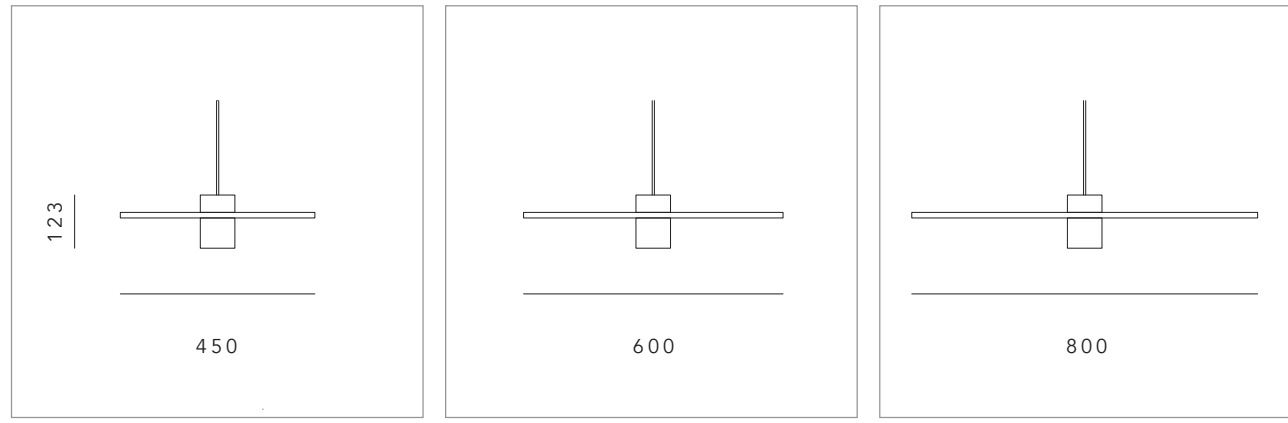


TUBB SILENTI

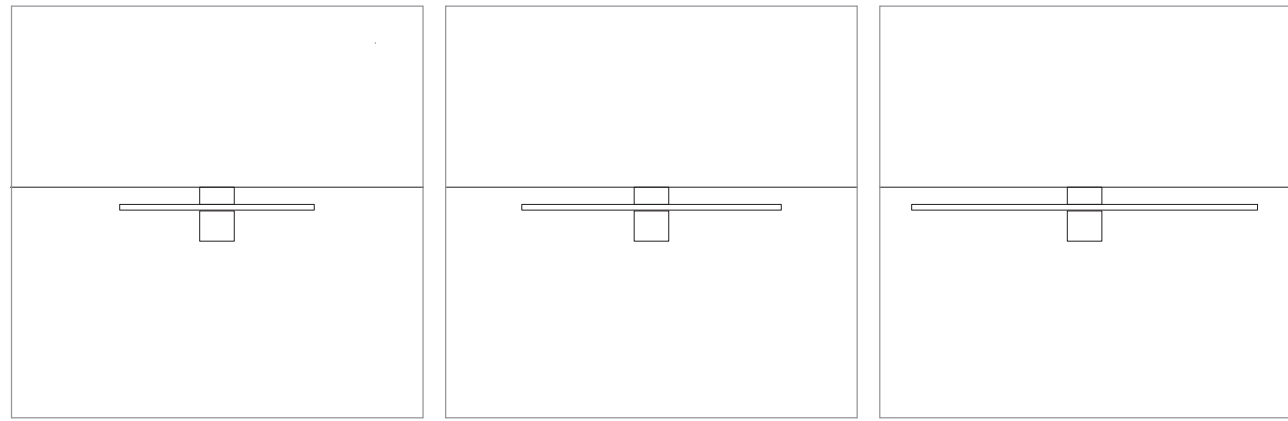
450 mm

Acoustic Disc: 'tinged with beige'  
Tubb: forest + gold reflector

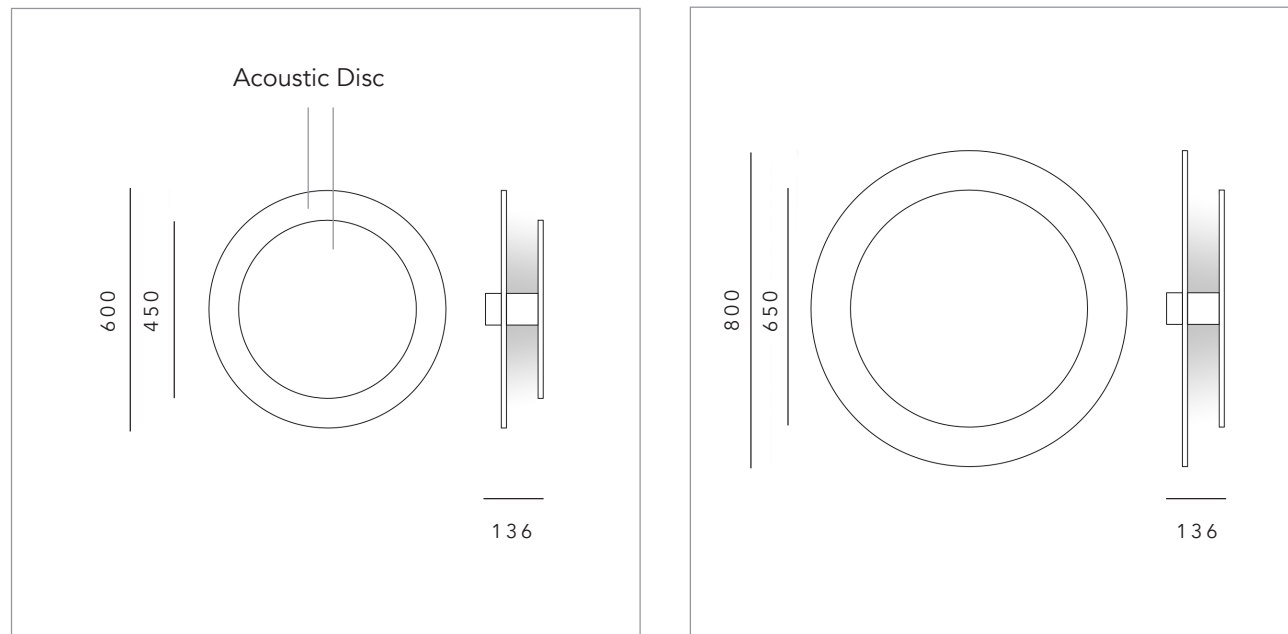
SUSPENDED



SURFACE



WALL



\* tinged colours





# ZERO WASTE table

---



Available in different stones.  
Each item has an exclusive number.

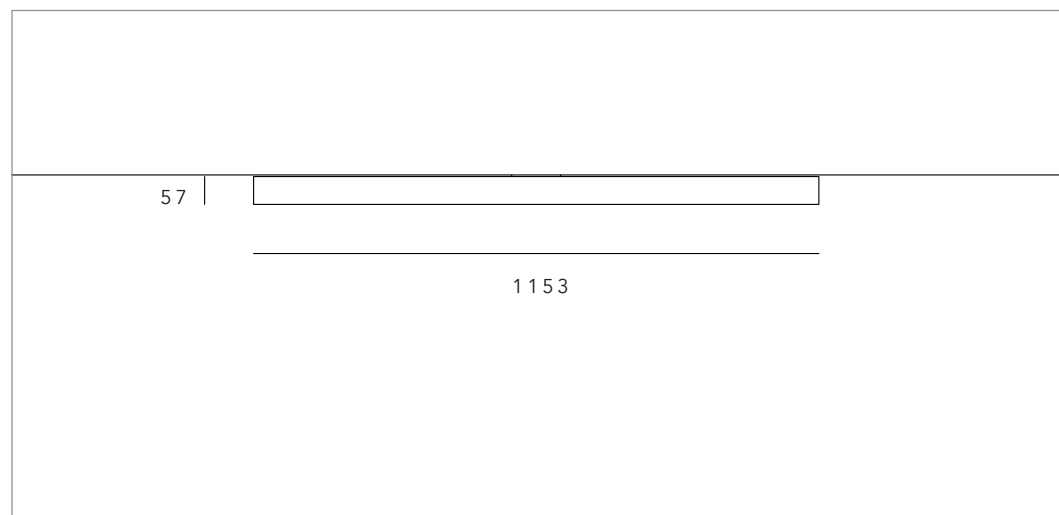
ZERO WASTE TABLE  
designed by Danny Hoorelbeke & Wim Demoen

# COPTER Series

## Copter Intrack

---





COPTER INTRACK

Low Lumen Output: 3080 lm  
 High Lumen Output: 6360 lm  
 Different light colours: 2700K - 6500K  
 Tunable White: 2700K - 6500K  
 PI-LED: 1800K - 16000K + RGB

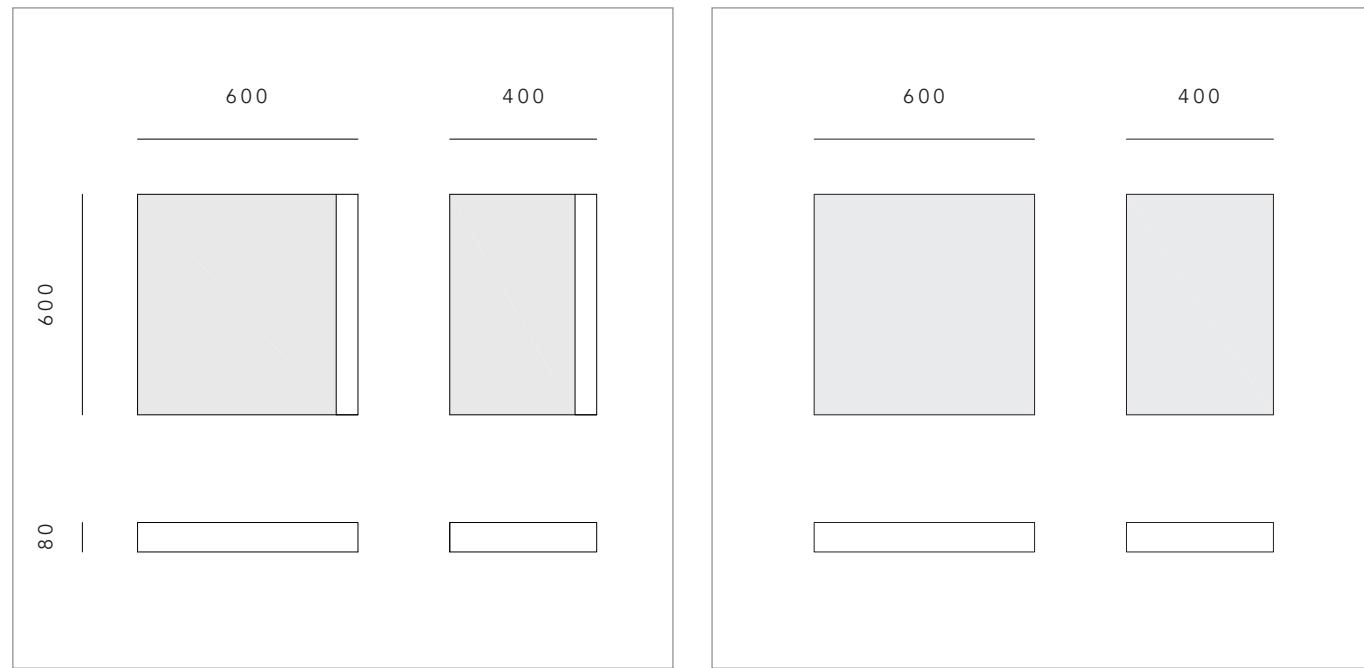
More possibilities with copter see ZUMI.BE





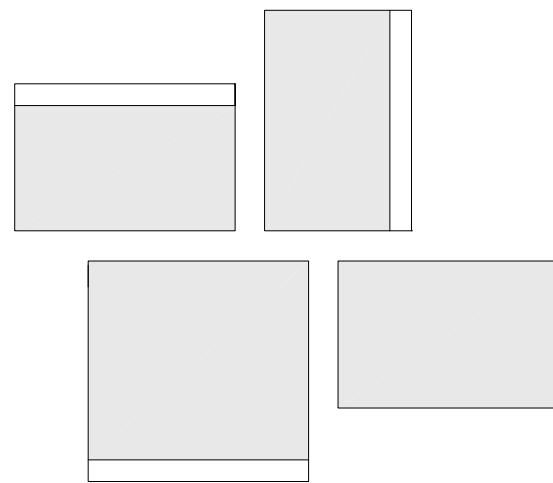
# Acoustic Panel II



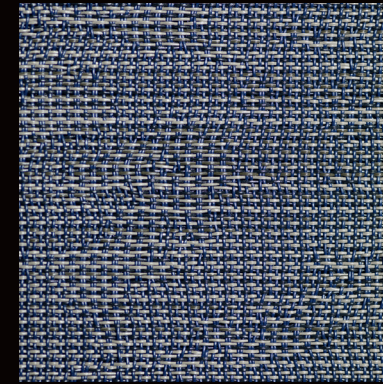
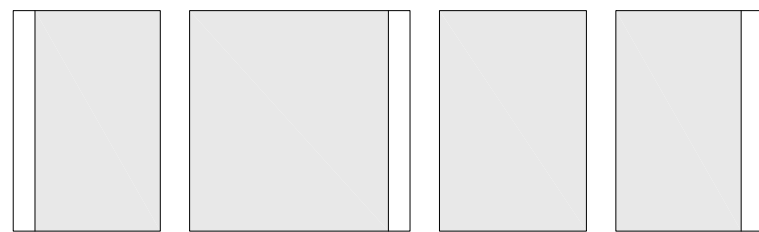


WITH LIGHT

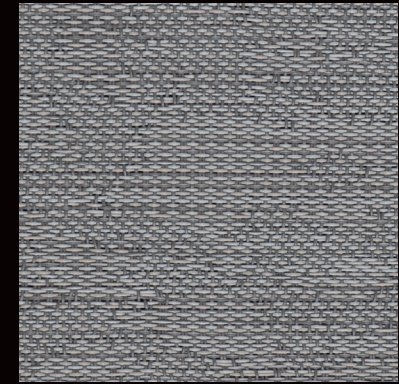
WITHOUT LIGHT



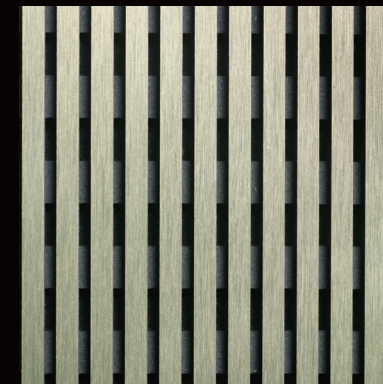
FREE TO PLAY WITH FORMS



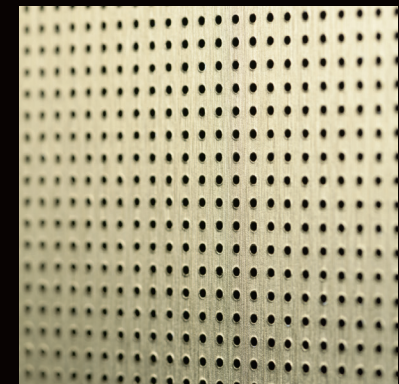
WOVEN VYNIL  
DARK BROWN



WOVEN VYNIL  
LIGHT BROWN



GROOVED  
SATINATA



PERFORATED  
SATINATA

For more colours: see website 'Abet Laminati'



FELT  
GREY



FELT  
BROWN

Also possible in measure made dimensions, see page 38-39.





# U Series

---

U STONE - NERO MARQUINA



U STONE - BIANCO CARRARA



U STONE - EMPERADOR MARRON



U LEATHER



Available in 1147 mm & 1710 mm.

# Projects



















# ZUMI in the picture

---

Since the start of ZUMI in 2016, we can already look back on a recognition of 3 AWARDS. The first AWARD in our own country, the Kortrijk Design Award, was an extremely important kick off. London and Paris followed shortly after this recognition.

We are currently nominated for the MDO Award in Monaco.

All recognitions show that ZUMI not only brings beautiful design but also produces innovative and high-tech solutions for lighting and acoustics.

Our aim remains to be a trendsetter in this fast-moving market.



BELGIUM



LONDON



PARIS

Nominated for



# Why ZUMI?

---



## Wide range

### Colour temperature LED:

Monochrome LED: 2400 Kelvin - 6500 Kelvin

Special colours for fashion and art

Colours for food like meat, fresh meat, fish, bread, cheese,...

Tunable White: 2700 Kelvin - 6500 Kelvin

PI-LED: 1800 Kelvin - 16000 Kelvin + RGB

### DIM systems:

1-10V / DALI / DMX / Bluetooth solutions

Casambi / EnOcean

IOT platform (Internet of Things)

### Emergency lighting:

Permanent or non-permanent solutions



## Guarantee

ZUMI offers a 5-year guarantee on all devices with a rated lifetime of at least 50.000 hours. Batteries are excluded from this guarantee.



## Made to measure

In addition to our standard range we offer customised solutions for both architectural projects and industrial applications.



## Technical support

Our team is at your disposal to support you with light calculations, autocad drawings, making offers linked to the datasheets and technical assistance. The ZUMI team also comes on site to give advice.



## Showroom

Our complete collection can be viewed in our showroom, by appointment only.

# Thanks to

---

We would like to thank everyone who worked on this catalogue: the ZUMI team, our designers, photographer, marketing agency, engineering office, our suppliers and so many more ...

We also thank the architects, interior architects, techniques engineering offices, installers and real estate investors who believe in our product, vision and quality. We constantly strive for a perfect result.

And of course also a word of thanks to our distributors who deliver our product every day in a qualitative way.

## THANKS TO THE LOCATIONS:

PAGES 10-11 / 43 / 44-45  
SOM Architecten – Diksmuide  
designed by SOM Arhitecten  
own office

PAGES 24-25  
Pop-up installation at INOFEC Kaffee – Tielt  
(Vlaemynck Business Center)  
restaurant

PAGES 29 EN 31  
Private office Antwerp  
Designed by ACE Lighting

PAGES 38-39  
AutoDialog at the Axel Vervoordt site - Wijnegem  
office

PAGES 46-47 / 48-49 / 50-51 / 52-53  
Buildingmaterials Vinckier – Diksmuide  
designed by Danny Hoorelbeke  
retail

PAGES 54-55  
Hotel Louisa – Ostend  
designed by Lieven Musschoot & Cas Moor  
Hotel-Bar

*The theme of the black-yellow lines means that we are now working on even more new products as well as a new ARTBOOK.*

**ZUMI light & acoustics**  
**dare to change to make the difference**

---

# Coming Soon

# Artbook II

---

Visit our website to download datasheets or more technical details.  
[info@zumi.be](mailto:info@zumi.be) • [www.zumi.be](http://www.zumi.be)





[WWW.ZUMI.BE](http://WWW.ZUMI.BE)