

**PRODUCT DESCRIPTION**

Recessed downlighter with very small trim for general or accent lighting.

The PI-LED-version makes it possible to change color from 1800K to 16000K but also to create all additional RGB-colors. This way any atmosphere can be created. Available in two different versions: the low output (375mA) or the high output (500mA) version.

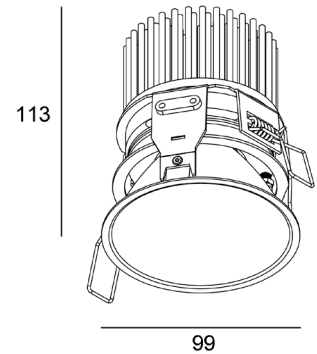
Aluminium luminaire available in different colors. Standard equipped with torsion springs.



**TECHNICAL DATA**

Application	ceiling - recessed
Dimensions	cut out: ø92mm h140mm
IP rating	IP55
Power	48V
Lifetime L70/F10/65°C	50000h
MacAdam ellipse	3
Guarantee	5 year

(\*on components, only if ordered luminaire + driver)



Color Temperature	Wattage	Forward Current	Lumen (LED) (at tp = 65°C)	Lumen/Watt (LED) (at tp = 65°C)	CRI	Energy Label
1800K-16000K RGB	22W	375mA	2300 lm	105 lm/W	90+	F
1800K-16000K RGB	31W	500mA	3000 lm	97 lm/W	90+	F

**ORDER REFERENCE**

> LUMINAIRE

**! ORDER REFERENCE + W (white) / B (black) / A (alu) C (champagne) / BR (bronze) / T (titanium)**

*LO*  
 ZUMI351310104 UKKIE M PI-LED LO 22W 2300lm CRI90+ excl.driver

*HO*  
 ZUMI351330104 UKKIE M PI-LED HO 31W 3000lm CRI90+ excl.driver

> DRIVER - REQUIRED!

**375/500mA - 48V**  
 LUMILTP1067 LED Driver for PI-LED Systems 60W/48V

> OPTION

**Flat Springs**  
 ZUMIFS Flat Springs