

PRODUCT DESCRIPTION

Recessed downlighter with very small trim for general or accent lighting.

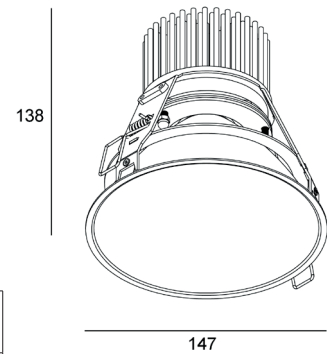
The PI-LED-version makes it possible to change color from 1800K to 16000K but also to create all additional RGB-colors. This way any atmosphere can be created. Available in two different versions: the low output (375mA) or the high output (500mA) version.

Aluminium luminaire available in different colors. Standard equipped with torsion springs.



TECHNICAL DATA

Application ceiling - recessed
 Dimensions cut out: ø140mm h160mm
 IP rating IP55
 Power 48V
 Lifetime L70/F10/65°C 50000h
 MacAdam ellipse 3
 Guarantee 5 year
 (*on components, only if ordered luminaire + driver)



Color Temperature	Wattage	Forward Current	Lumen (LED) (at tp = 65°C)	Lumen/Watt (LED) (at tp = 65°C)	CRI	Energy Label
WHITE REFLECTOR						
1800K-16000K RGB	22W	375mA	2300 lm	105 lm/W	90+	F
1800K-16000K RGB	31W	500mA	3000 lm	97 lm/W	90+	F

ORDER REFERENCE

> LUMINAIRE

! ORDER REFERENCE + W (white) / B (black) / A (alu) C (champagne) / BR (bronze) / T (titanium)

LO

DALI ZUMI361310106 UKKIE L PI-LED LO 375mA 22W 2300lm CRI90+ excl.driver

HO

DALI ZUMI361330107 UKKIE L PI-LED HO 500mA 31W 3000lm CRI90+ excl.driver

> DRIVER - REQUIRED!

375/500mA - 48V

LUMILTP1067

LED Driver for PI-LED Systems 60W/48V

> OPTION

Flat Springs

ZUMIFS

Flat Springs