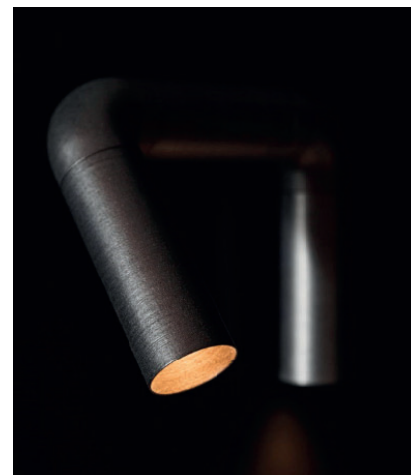


PRODUCT DESCRIPTION

CURVY 90 is a 3D printed luminaire with 2 curves of 90°. The tubes have a diameter of about 40mm and a length of 150mm. The luminaire is 360° rotatable around its axis and inclinable. Available with a lightbeam of 10° or 40°.

CURVY has to be used with the Zumipoint jack system.

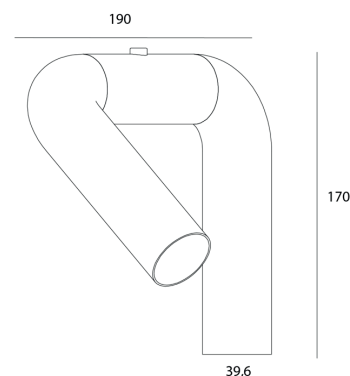


TECHNICAL DATA

| | |
|-----------------------|---------------|
| Application | Jack |
| Dimensions | 190mm x 170mm |
| IP rating | IP20 |
| Power | 48V |
| Lifetime L70/F10/65°C | >60000h |
| MacAdam ellipse | 3 |
| Guarantee | 5 year |

(*on components, only if ordered luminaire + driver)

| Color Temperature | Wattage | Forward Current | Lumen (LED) (at tp = 65°C) | Lumen/Watt (LED) (at tp = 65°C) | CRI | Energy Label |
|-------------------|---------|-----------------|----------------------------|---------------------------------|-----|--------------|
| 2700K | 2x6,9W | 48V | 2x840 lm | 123 lm/W | 90+ | E |
| 3000K | 2x6,9W | 48V | 2x895 lm | 131 lm/W | 90+ | E |



ORDER REFERENCE

> LUMINAIRE

! ORDER REFERENCE + (1) **B** (black) / **C** (Colour)
(2) **DD** (Dali dim)

| | | | |
|-------|-----|----------------|--|
| 2700K | 10° | ZUMI1562243004 | CURVY 90 SLE G7 10° 2x6,9W 2x840lm 48V DC 2700K CRI90+ excl.driver |
| | 40° | ZUMI1562241204 | CURVY 90 SLE G7 40° 2x6,9W 2x840lm 48V DC 2700K CRI90+ excl.driver |
| 3000K | 10° | ZUMI1562253004 | CURVY 90 SLE G7 10° 2x6,9W 2x895lm 48V DC 3000K CRI90+ excl.driver |
| | 40° | ZUMI1562251204 | CURVY 90 SLE G7 40° 2x6,9W 2x895lm 48V DC 3000K CRI90+ excl.driver |

> REQUIREMENTS

| | |
|------------|---|
| ZUMIZPB | Zumipoint black cut out Ø 25mm |
| ZUMIZPTFCB | Zumipoint black trimless falls ceiling cut out Ø 51mm |
| ZUMIZPTSCB | Zumipoint black trimless stretch ceiling cut out Ø |

> DRIVER (to be placed remoted)

non dimmable :

| | | |
|---------|------------------------------|---|
| Compact | TRID28001232 TRID28001045 | LCU 48V 75W DC-STR FO SR LCU 48V 150W DC-STR FO SR |
| Linear | TRID28000816 TRID28001234 | LCU 48V 75W DC-STR FO Ip LCU 48V 150W DC-STR FO Ip |

dimmable :

| | | |
|---------|------------------------------|---|
| Compact | TRID28001233 TRID28001044 | LCU 48V 75W DC-STR DIM SR LCU 48V 150W DC-STR DIM SR |
| Linear | TRID28000815 TRID28001235 | LCU 48V 75W DC-STR DIM Ip LCU 48V 150W DC-STR DIM Ip |