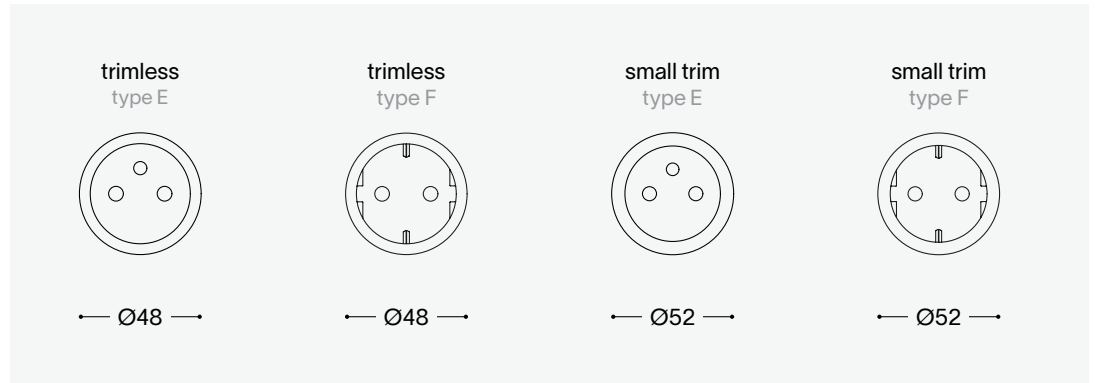


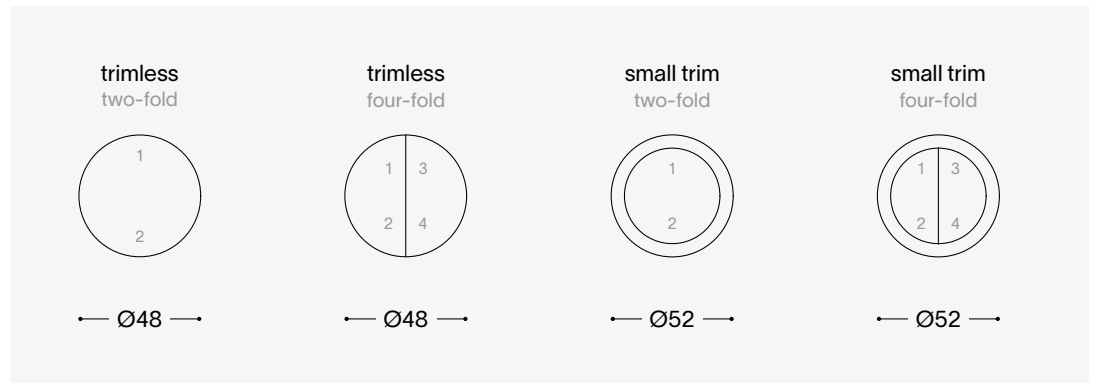
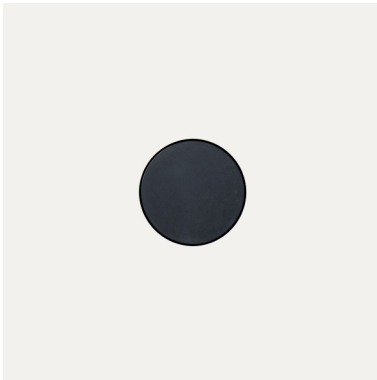
product overview

rond 2.0 | socket module



types	E BE/FR	F NL/DE/LU
compatibility	retro/easy/backfit modules	multifit modules
variants	trimless Ø48	small trim Ø52
finishes	basic alu	custom brass finishes
removable	by tool, always accessible	
price	€ 29 - 69 excl. VAT	

rond 2.0 | PF push button

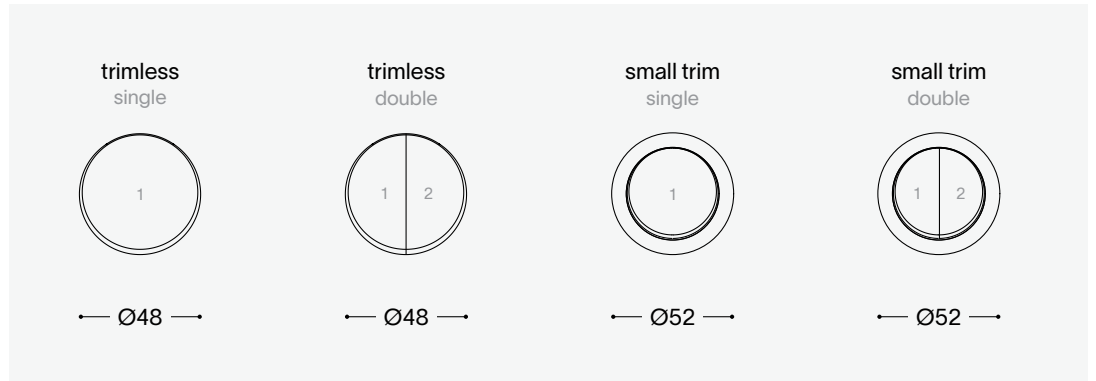


types	potential-free	two-fold	four-fold
compatibility	retro/easy/backfit modules	multifit modules	
variants	trimless Ø48	small trim Ø52	
finishes	basic alu	custom brass finishes	
sensor	integrated NTC temperature-sensor		
removable	by tool, always accessible		
price	€ 49 - 169 excl. VAT		

product overview

rond 2.0 | 230V switches

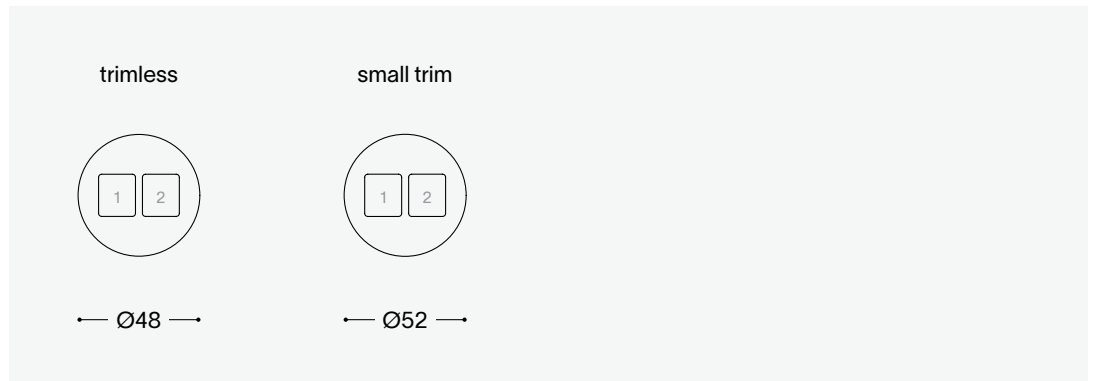
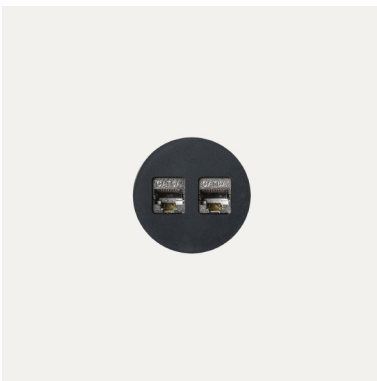
available from September 2023



types	single-pole switch	double NO/NC push button
	two-pole switch	two-way switch
	NO/NC push button	two-pole two-way switch
	two-circuit switch	double two-way switch
	intermediate switch	
compatibility	retro/easy/backfit modules	multifit modules
variants	trimless Ø48	small trim Ø52
finishes	basic	alu
removable	by tool, always accessible	
price	€ 29 - 69 excl. VAT	

rond 2.0 | data ports module

available from September 2023

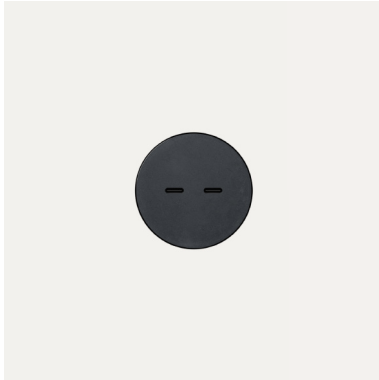


type keystones	RJ45 UTP	coax	hdmi	audio
compatibility	retro/easy/backfit modules		multifit modules	
variants	trimless Ø48		small trim Ø52	
finishes	alu		custom brass finishes	
removable	by tool, always accessible			
price	€ 49 - 69 excl. VAT			
other	keystones sold separately			

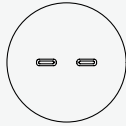
product overview

rond 2.0 | dual USB-C module 30W

available from September 2023

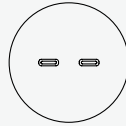


trimless



— Ø48 —

small trim

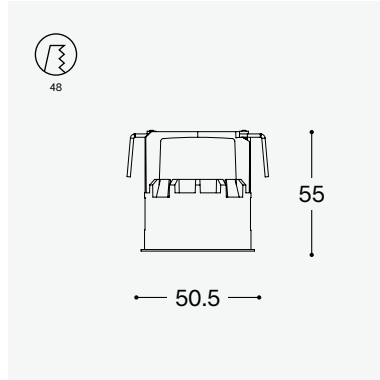


— Ø52 —

type	2X USB-C port	30W
compatibility	retro/easy/backfit modules	multifit modules
variants	trimless Ø48	small trim Ø52
finishes	alu	custom brass finishes
removable	by tool, always accessible	
price	€ 89 - 129 excl. VAT	

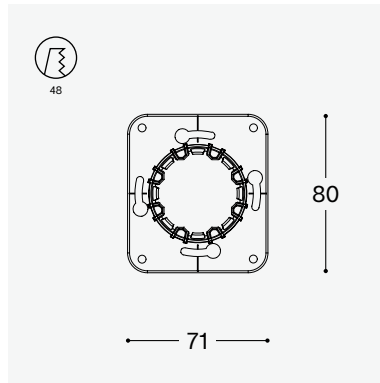
product overview

rond 2.0 | multifit holder



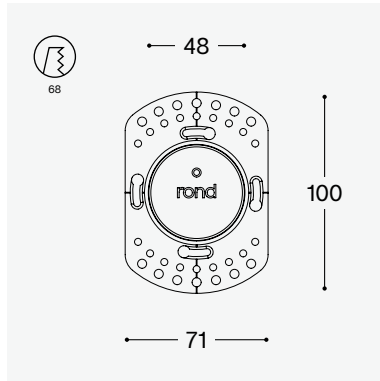
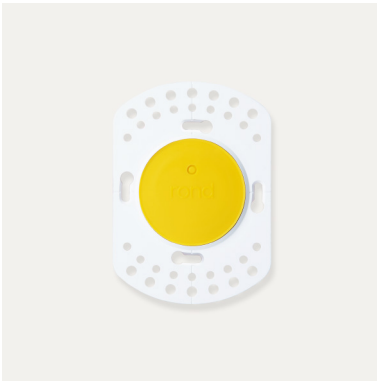
compatibility	multifit modules
fits in	wood, veneer and stone
installation hole	Ø 48
panel thickness	8 - 30 mm
price	€ 19 excl. VAT

rond 2.0 | backfit holder



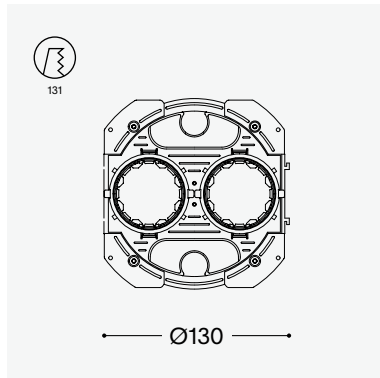
compatibility	retro/easy/backfit modules
for	wood, veneer and stone
installation hole	Ø 48
panel thickness	19 mm
price	€ 19 excl. VAT

rond 2.0 | retrofit plaster ring



compatibility	retro/easy/backfit modules
fits in	universal junction boxes round or square
installation hole	Ø 68
price	€ 9 excl. VAT

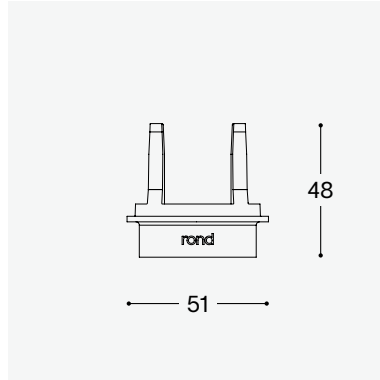
rond 2.0 | easyfit plaster box



compatibility	retro/easy/backfit modules
fits in	solid, plastered walls
variant	double single
installation hole	Ø 131
adjustability	3 positions: 4, 8 and 12 mm
price	€ 19 excl. VAT

product overview

rond 2.0 | removal tool



compatibility	retro/easy/backfit modules multifit modules
price	€ 9 excl. VAT