

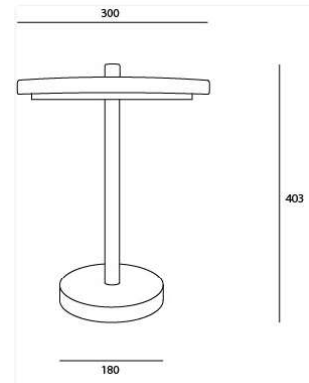
PRODUCT DESCRIPTION

Zero Waste Table is a very elegant table lamp made from natural stone waste and equipped with highest quality LED. Driver included.

TECHNICAL DATA

Application	Table
Dimensions	h: 403mm Ø 300mm base Ø 180mm
IP rating	IP20
Power	230V
Lifetime L70/F10/65°C	>72000h
MacAdam ellipse	3
Guarantee	5 year

Color Temperature	Wattage	Forward Current	Lumen (LED) (at tp = 65°C)	Lumen/Watt (LED) (at tp = 65°C)	CRI	Energy Label
2700K	12W	24V DC	1400 lm	117 lm/W	90+	F



ORDER REFERENCE

> [LUMINAIRE](#)

! ORDER REFERENCE +

ZUMI1912910101 Zero Waste Table 1400lm 12W 24V DC CRI90+ incl.driver

> DRIVER included